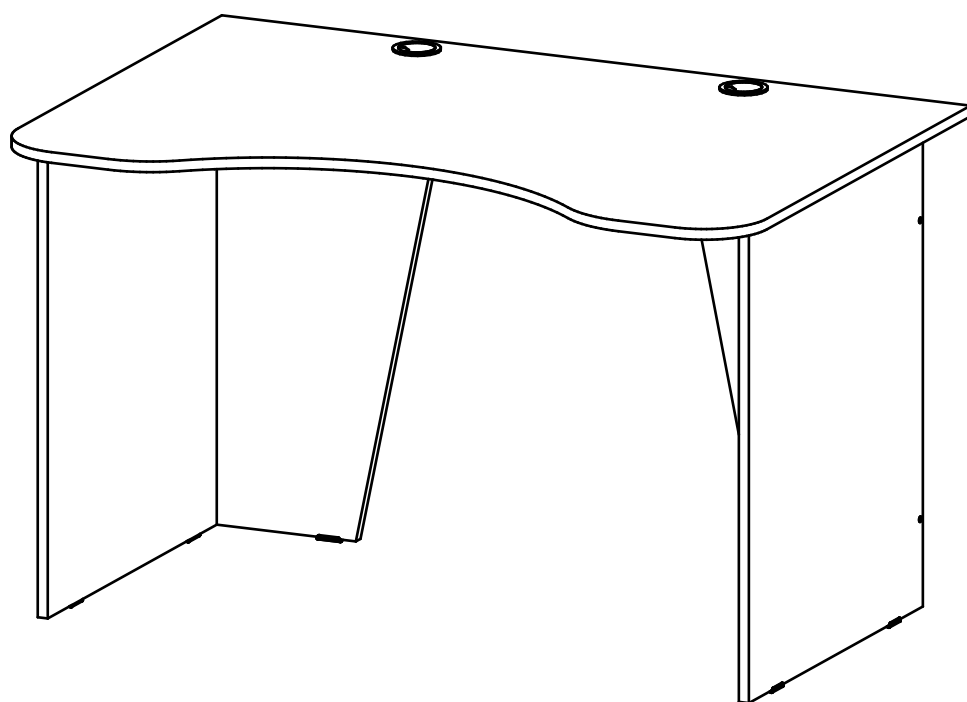
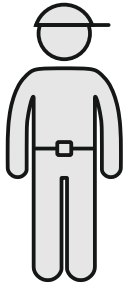


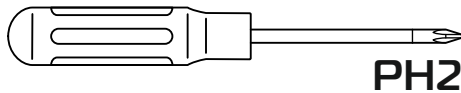
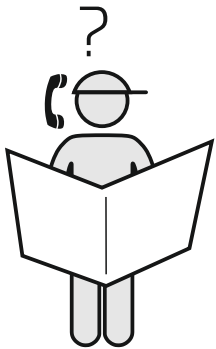
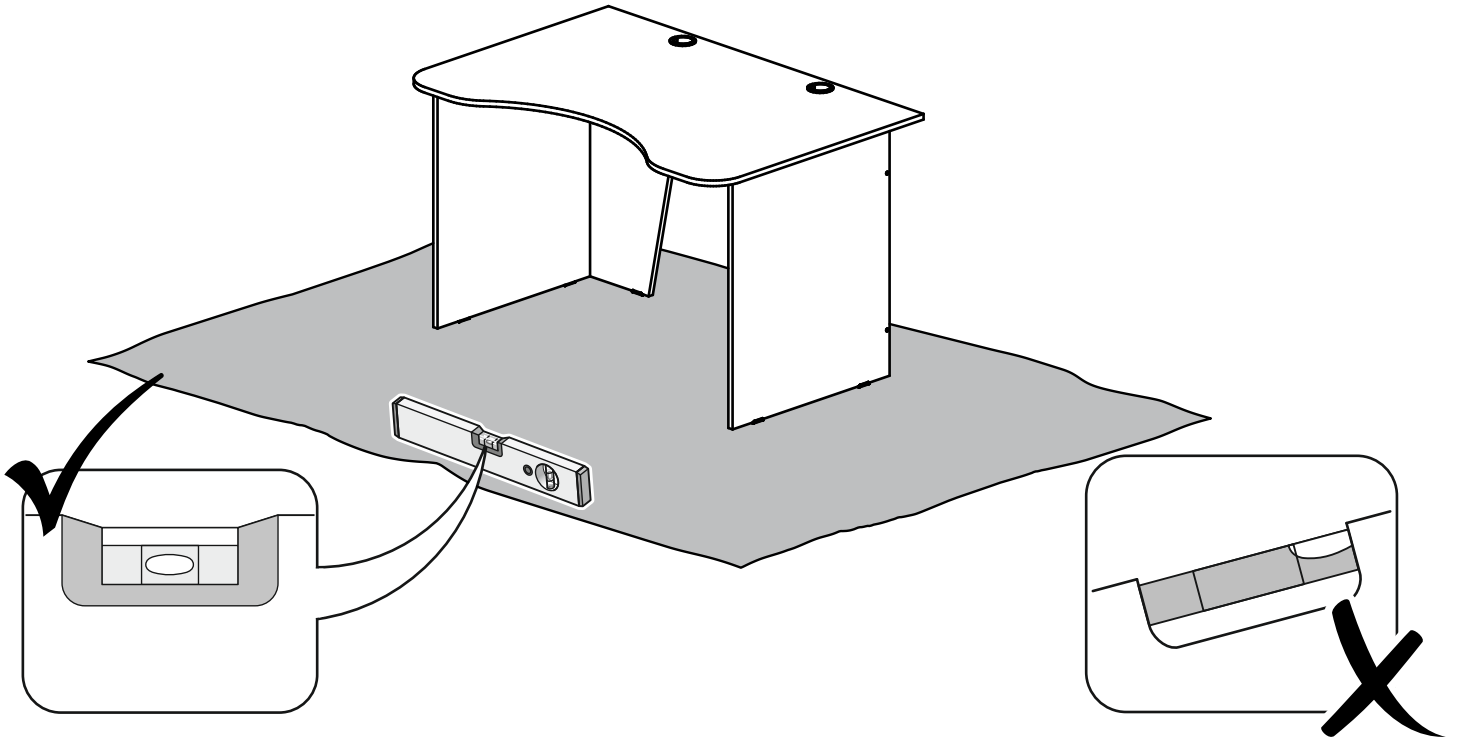
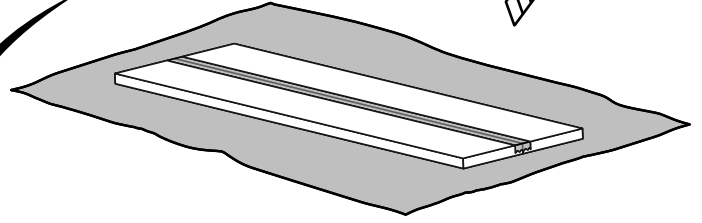
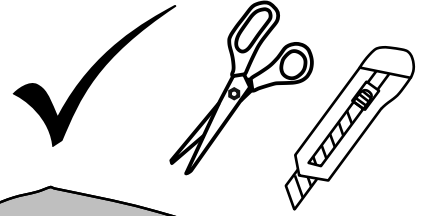
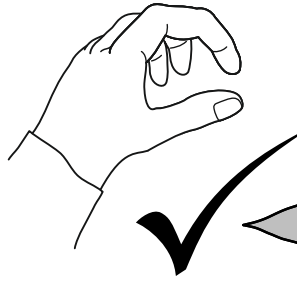
# ИНТЕРПЛЕЙ-1

## INTERPLAY-1

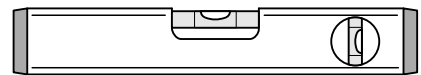
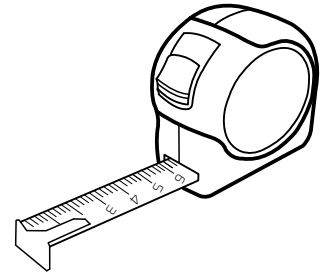
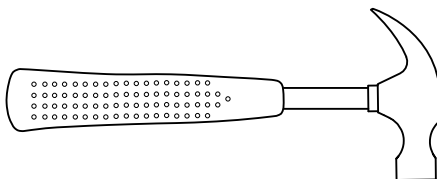


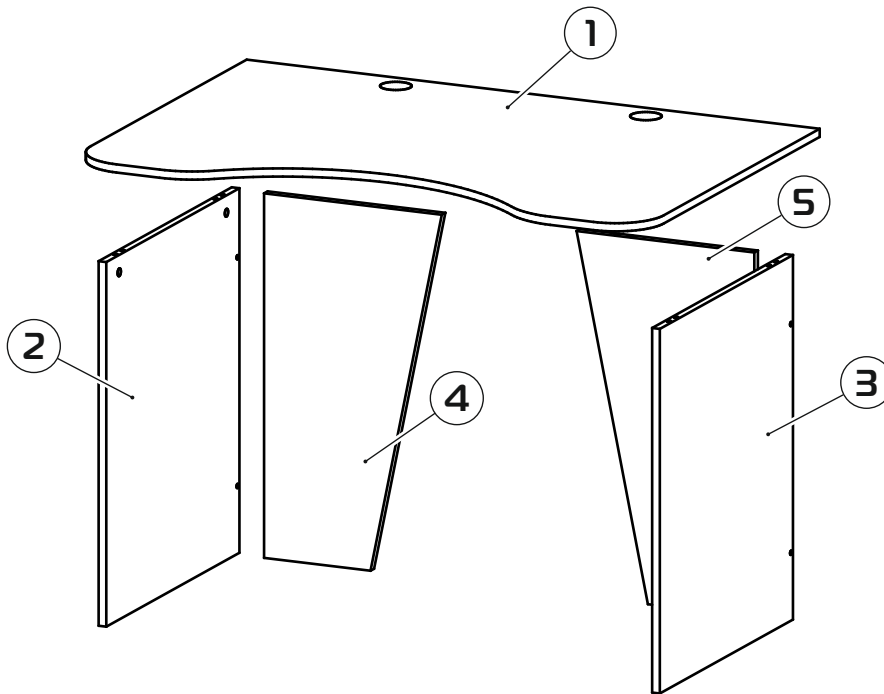


45-60 min



PH2





① 1174x780x16 (x1)

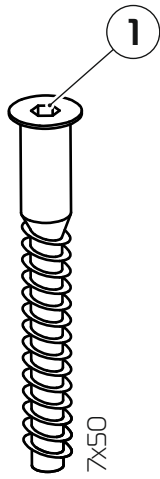
② 714x596x16 (x1)

③ 714x596x16 (x1)

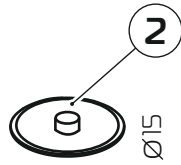
④ 714x371x16 (x1)

⑤ 714x371x16 (x1)

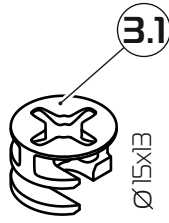
1:1



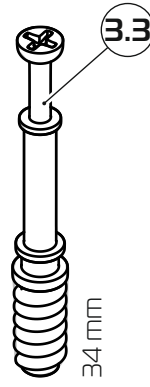
x4



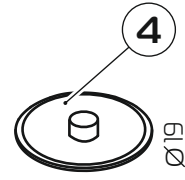
x4



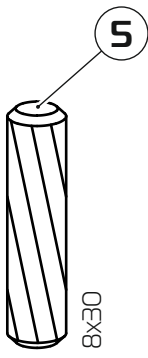
x6



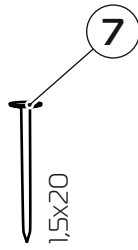
x6



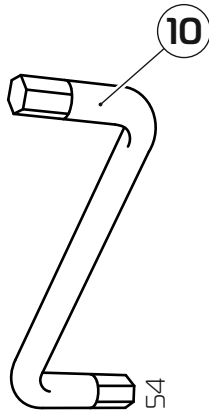
x6



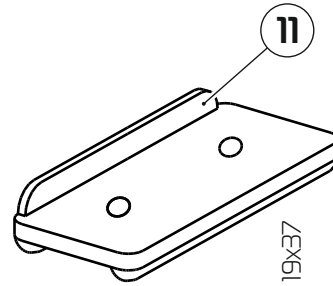
x6



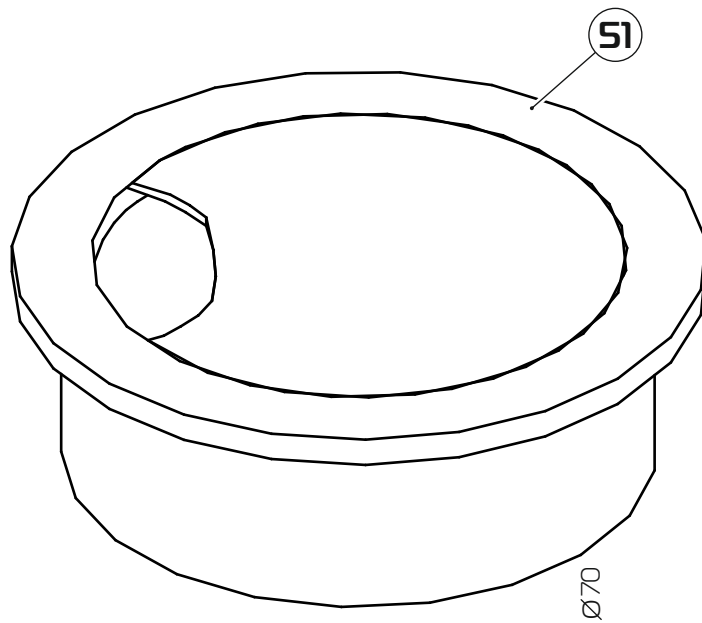
x12



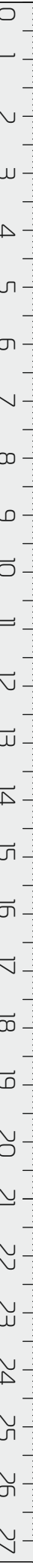
x1



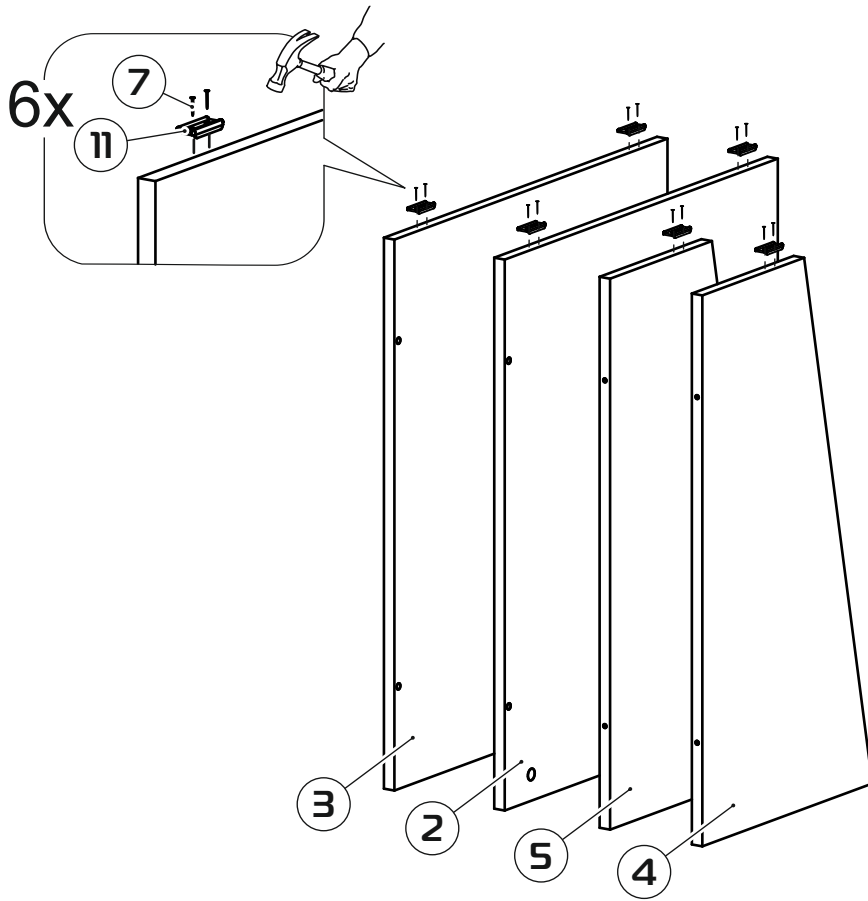
x6



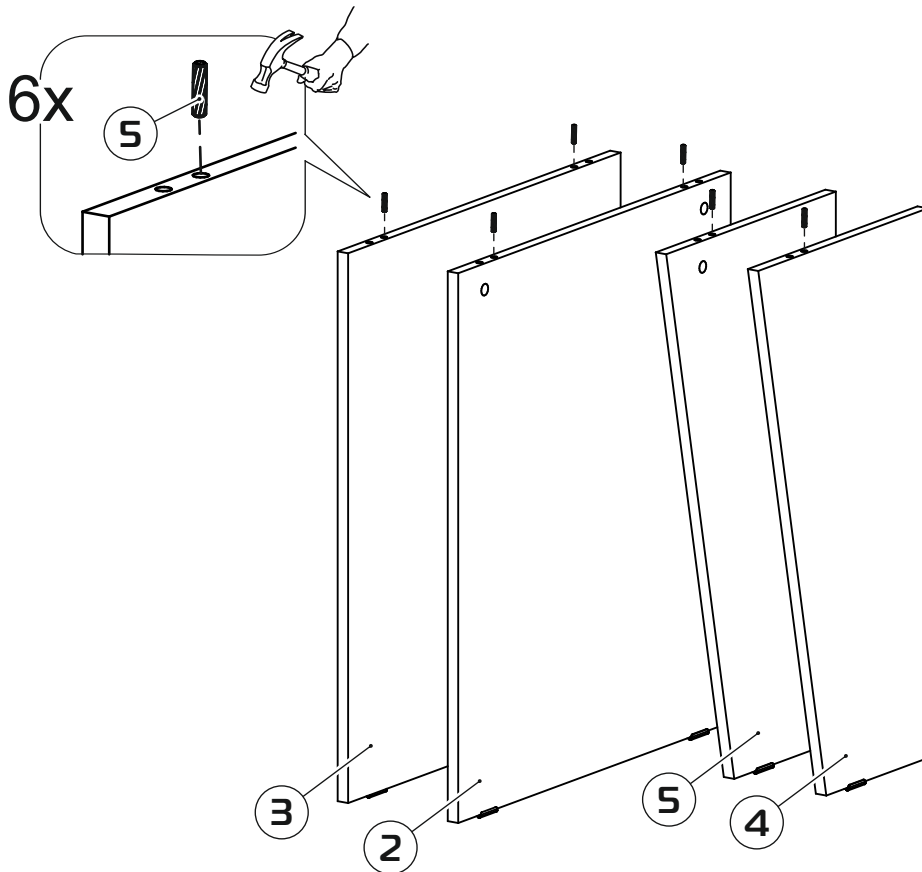
x2



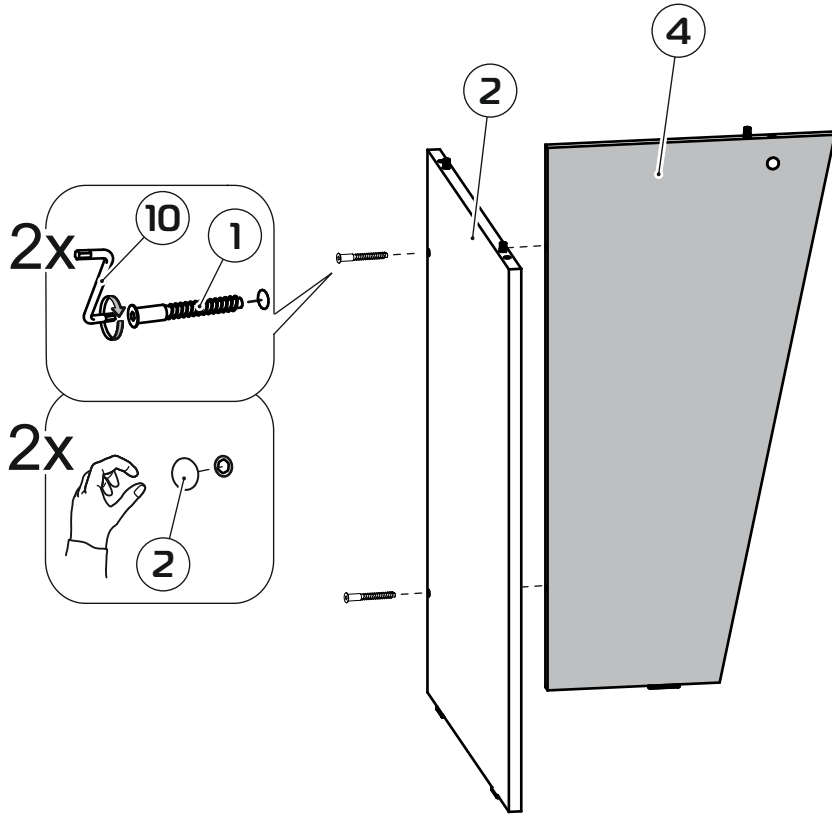
1



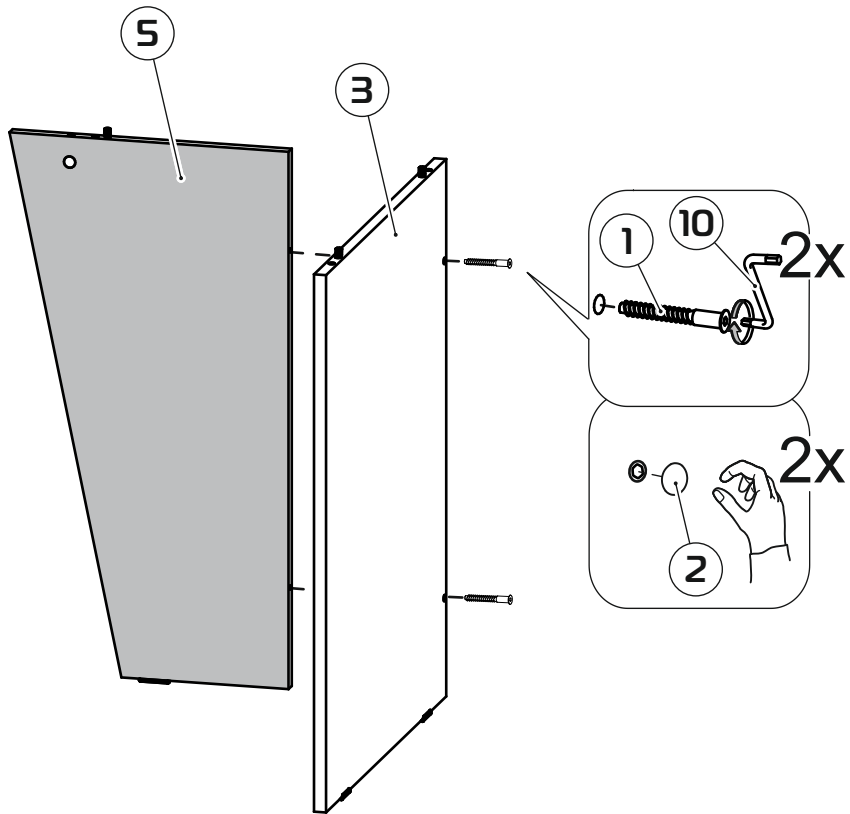
2



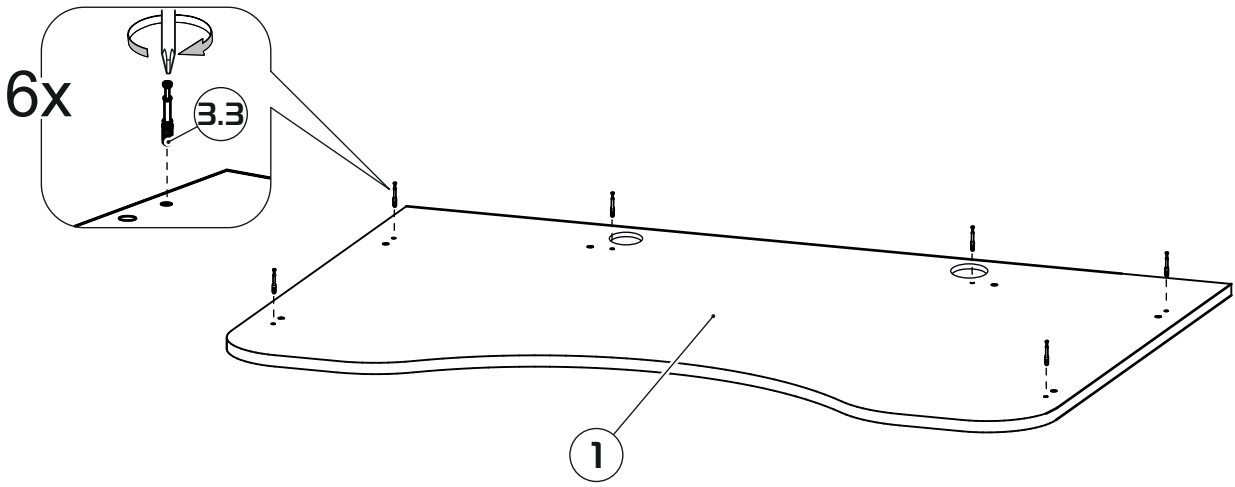
# 3



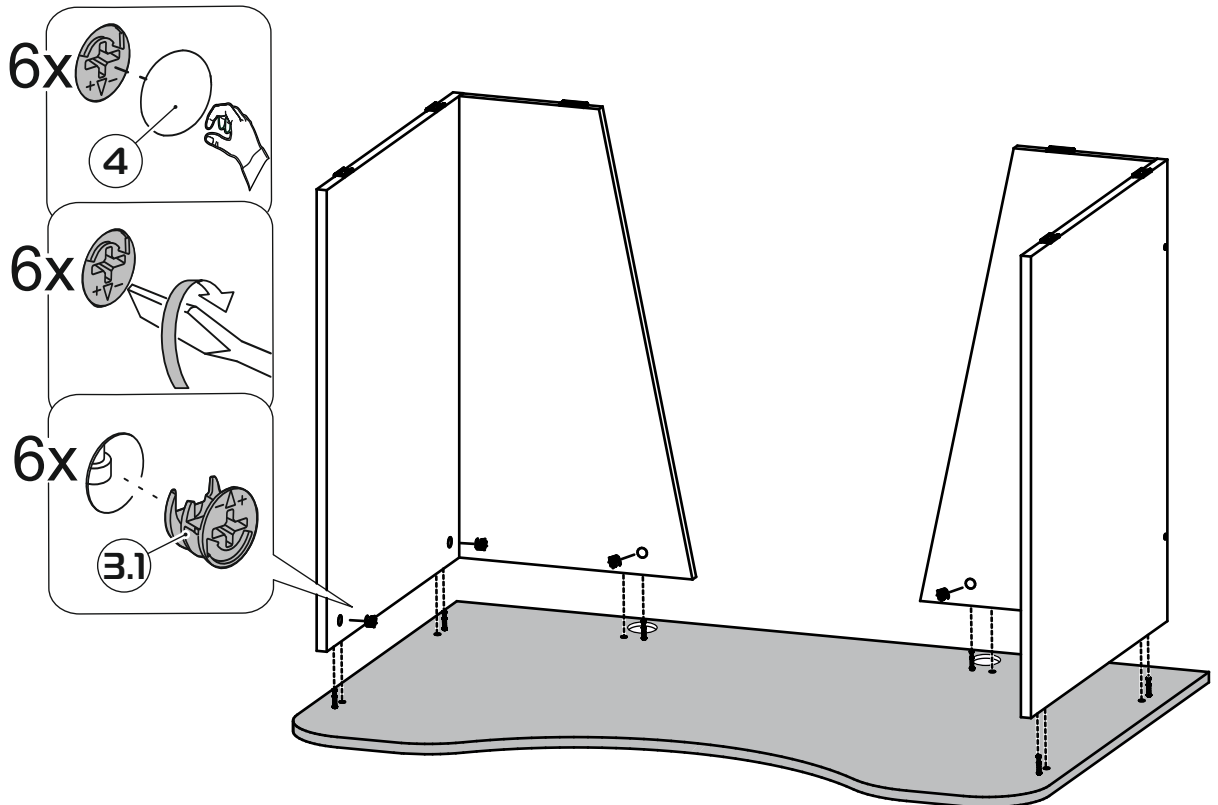
# 4



# 5



# 6



7

