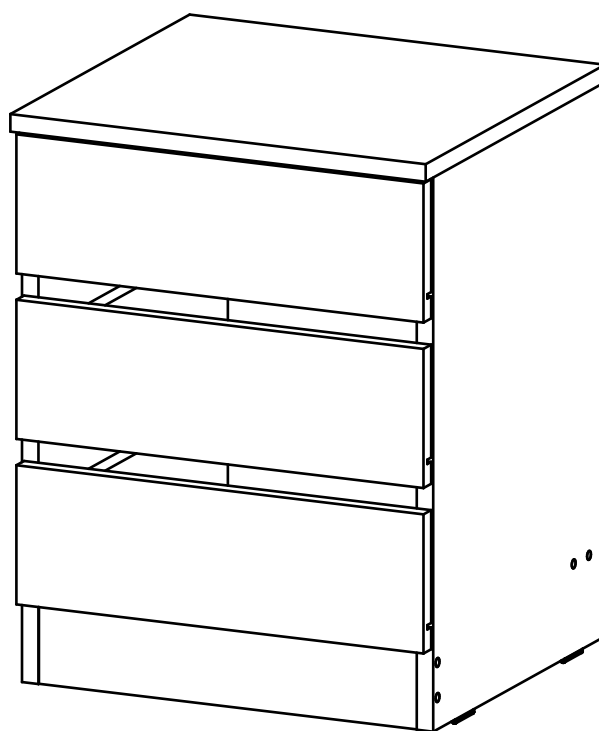


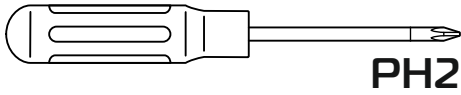
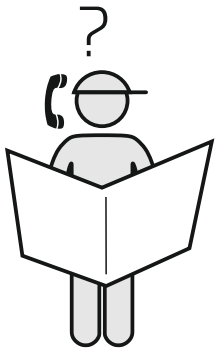
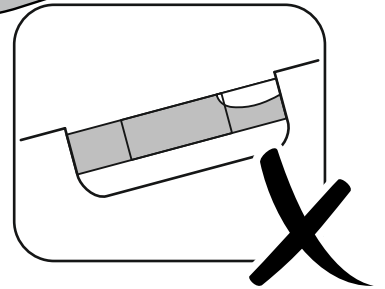
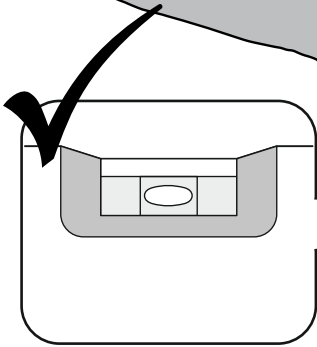
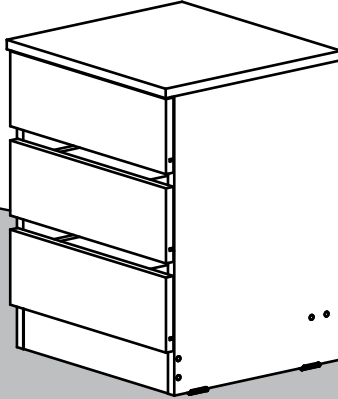
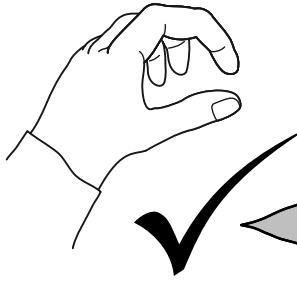
# ТРИВЕРО-6

# TRIVERO-6

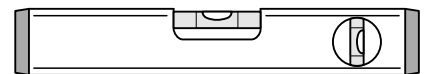
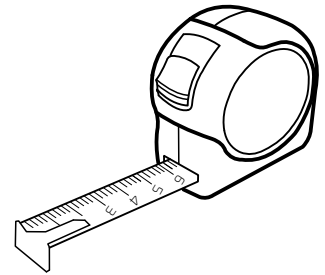
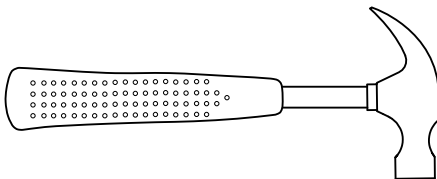


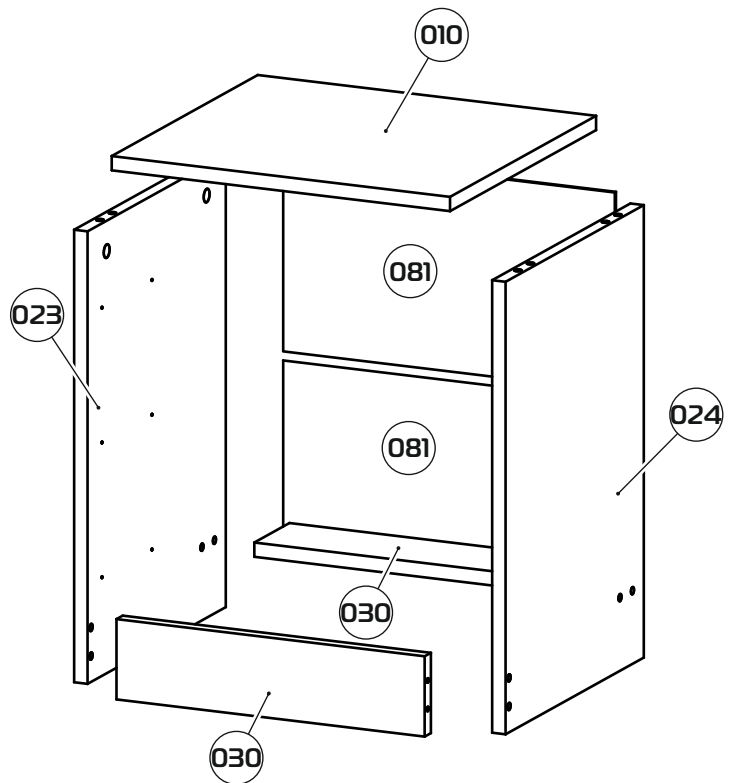
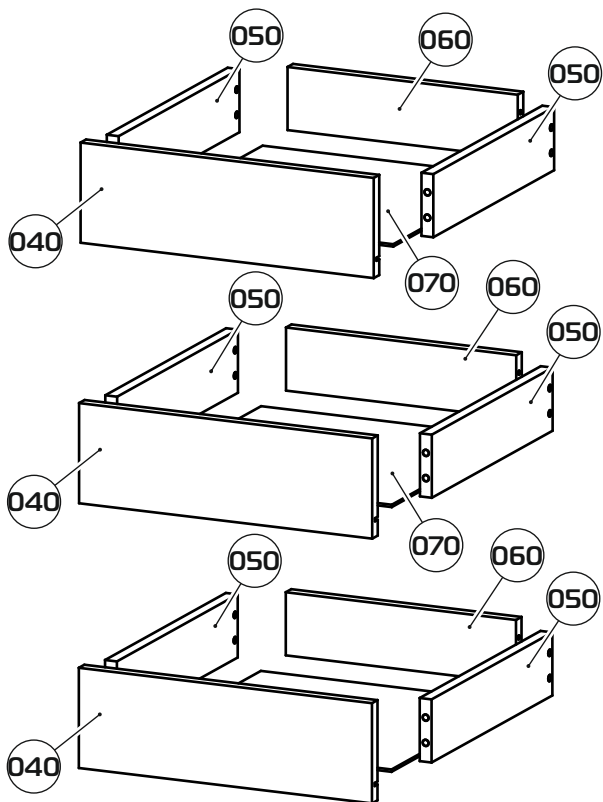


45-60 min



PH2





010 404x374x16 (x1)

023 507x354x16 (x1)

024 507x354x16 (x1)

030 368x90x16 (x2)

040 396x127x16 (x3)

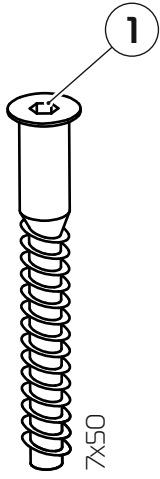
050 350x80x16 (x6)

060 311x80x16 (x3)

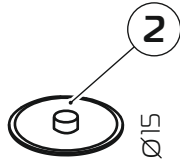
070 342x355x3 (x3)

081 222x396x3 (x2)

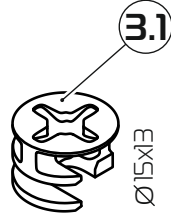
1:1



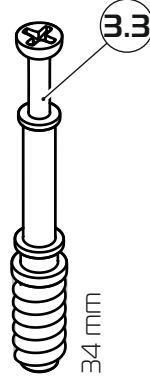
x20



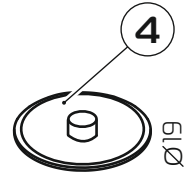
x20



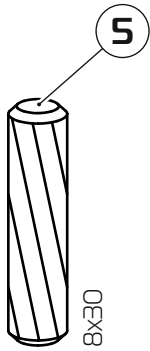
x10



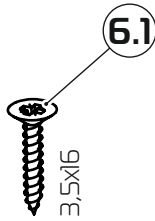
x10



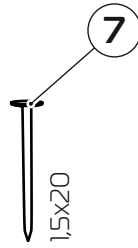
x10



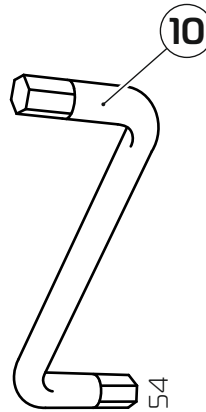
x10



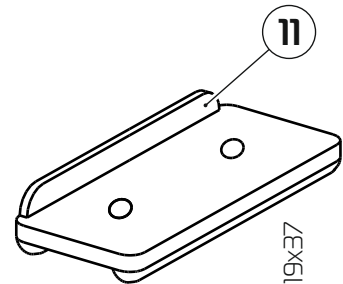
x36



x45

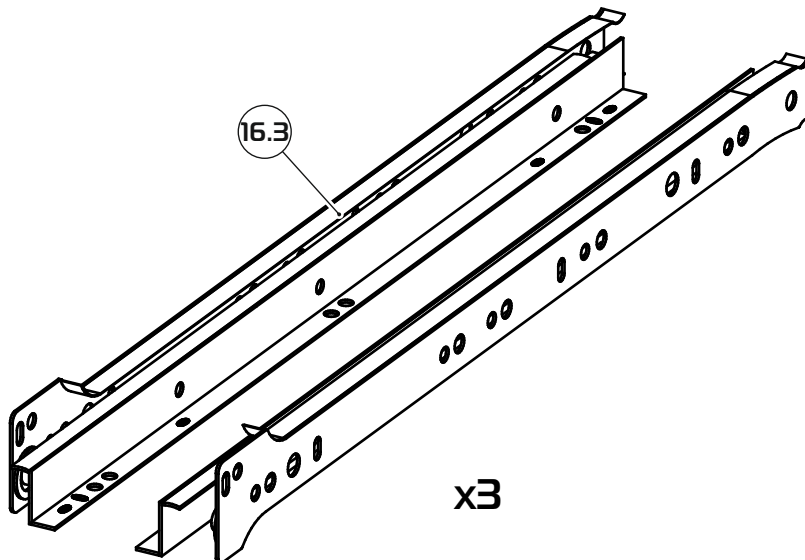


x1

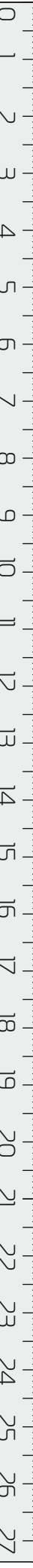


x4

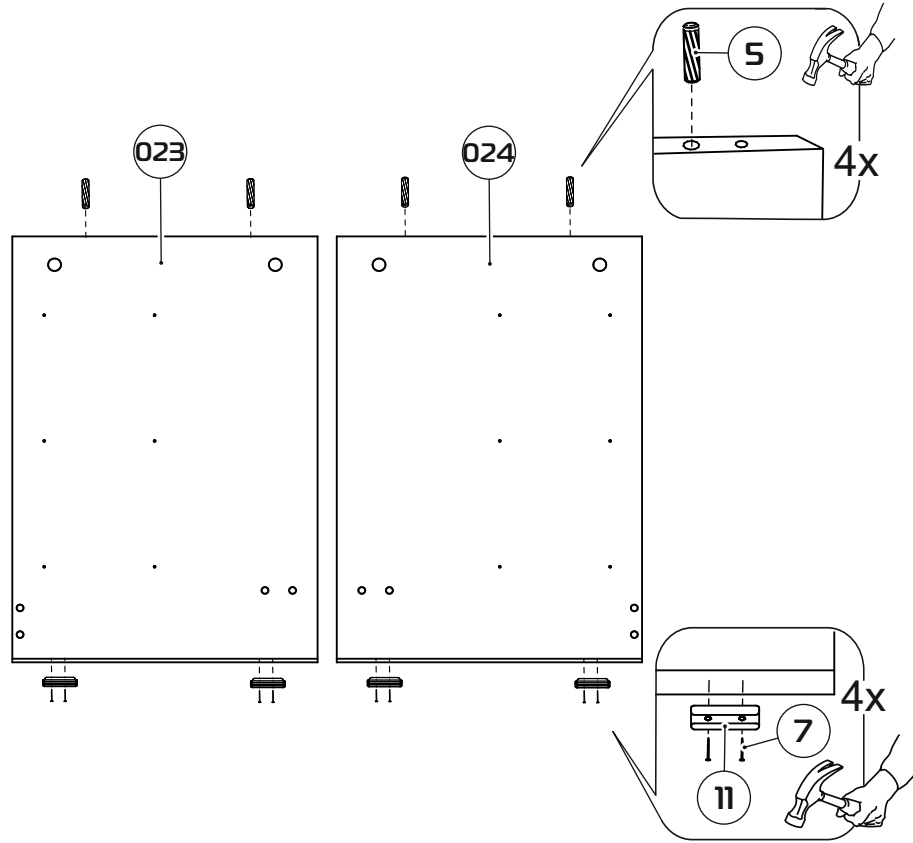
1:2



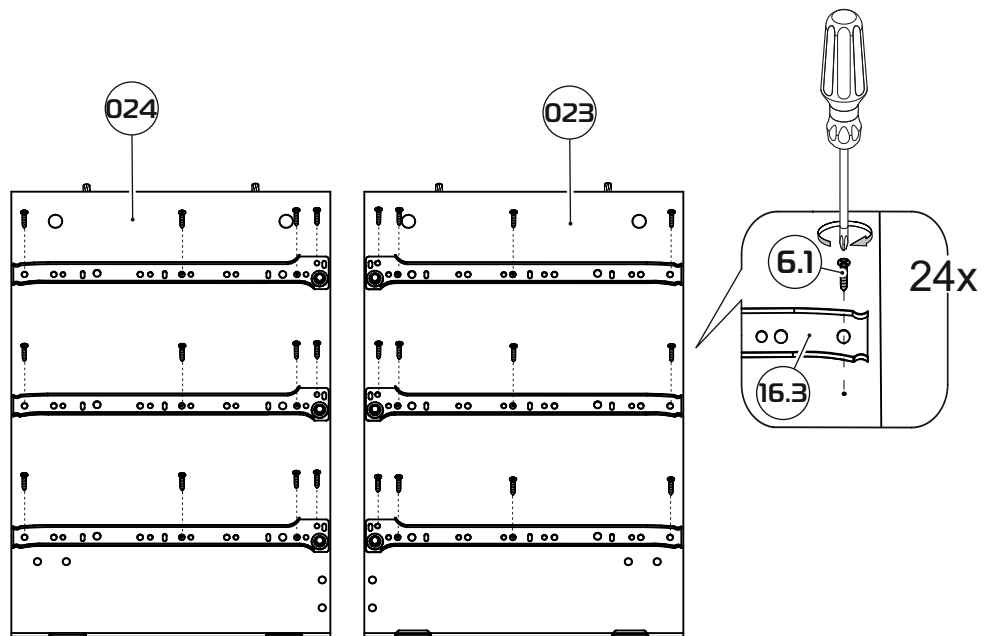
x3



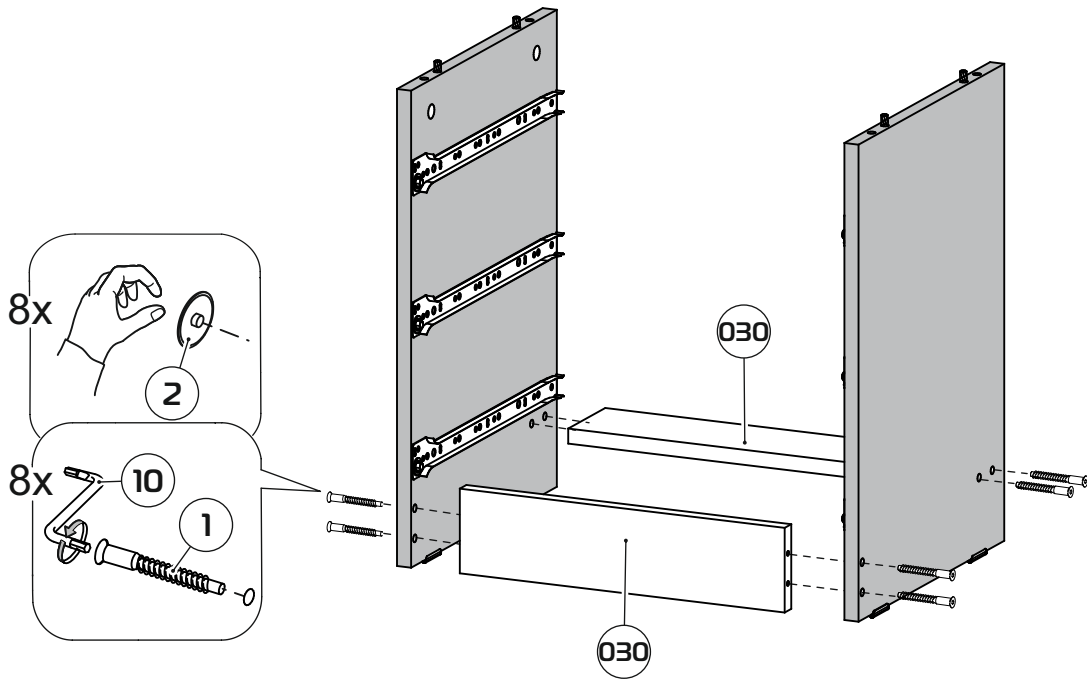
1



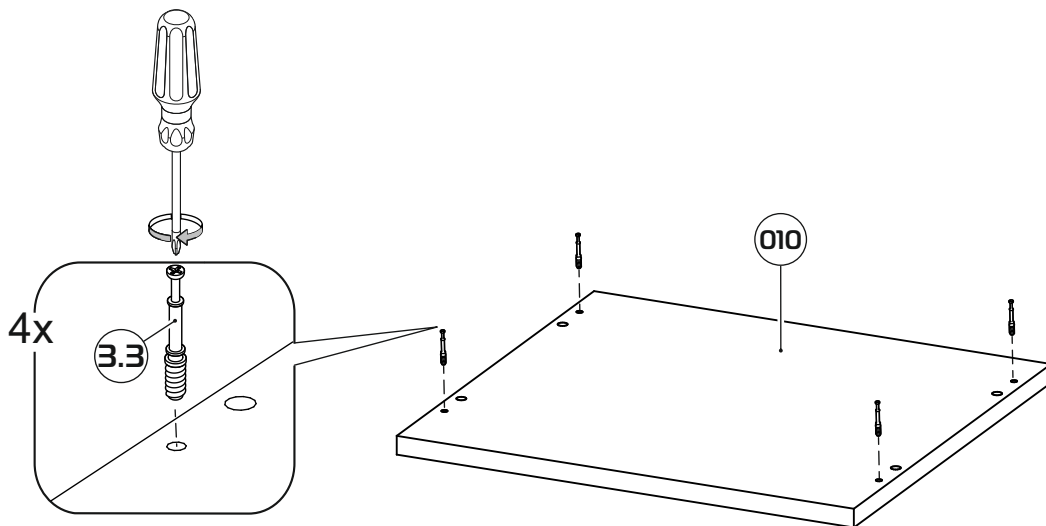
2



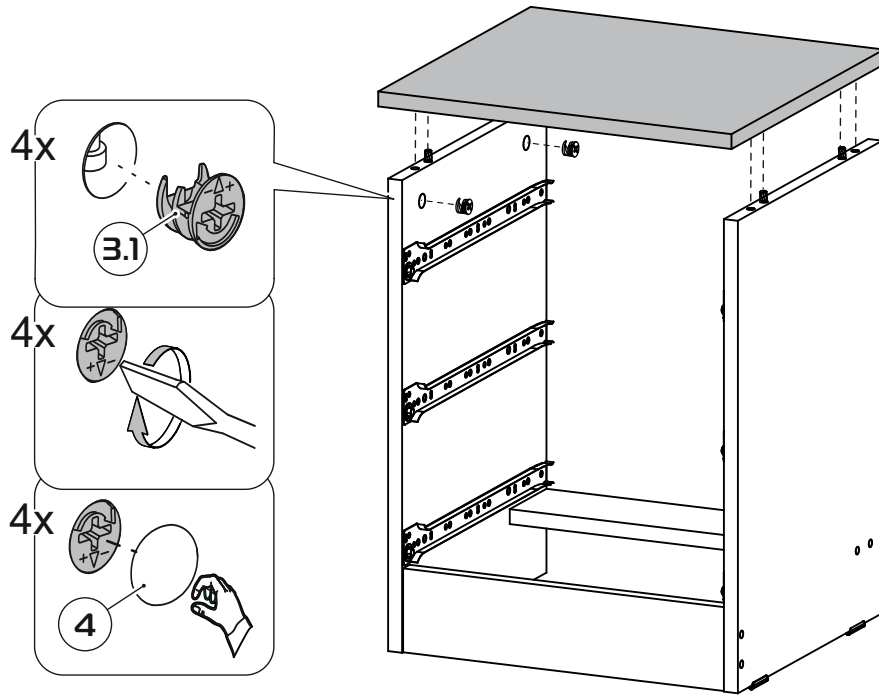
# 3



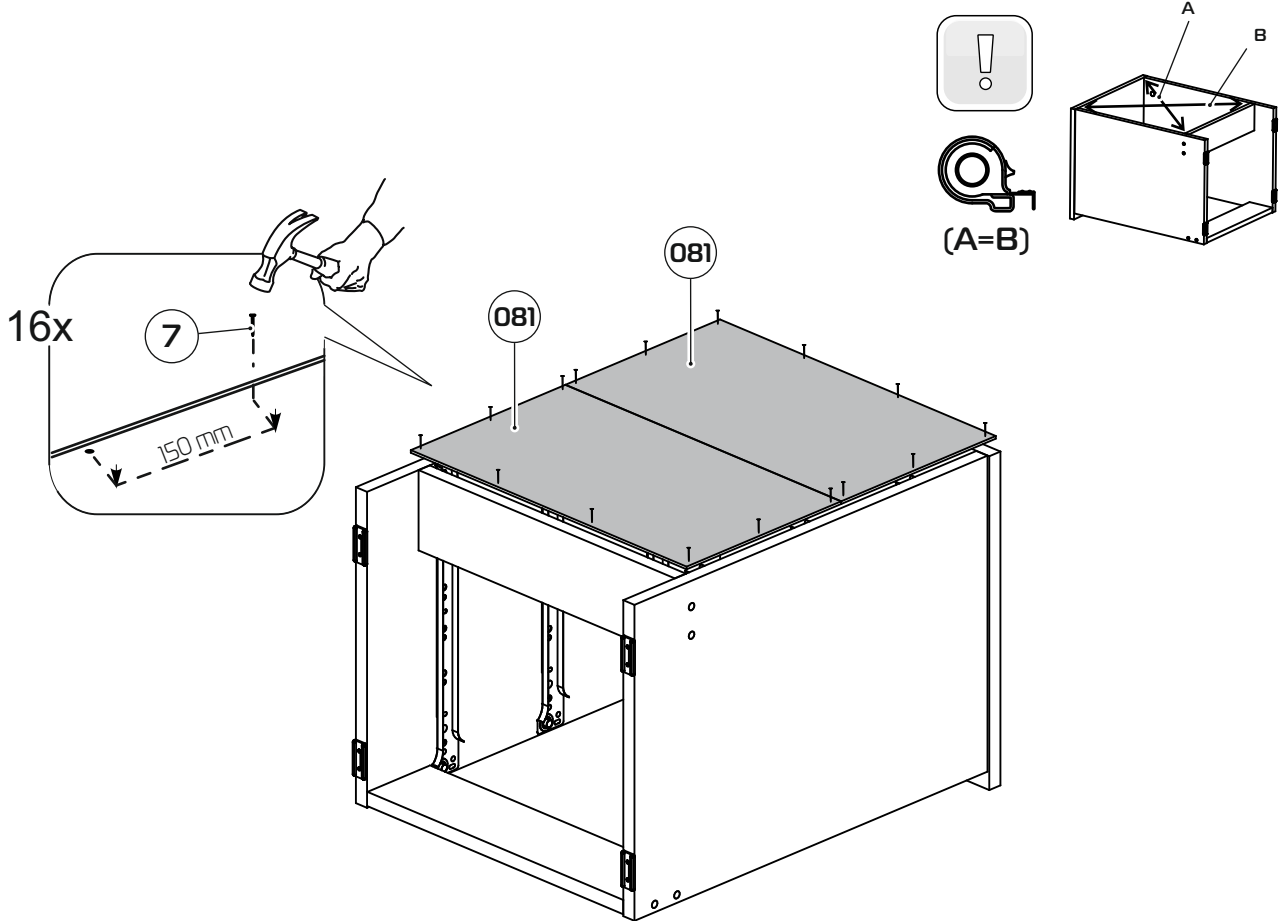
# 4



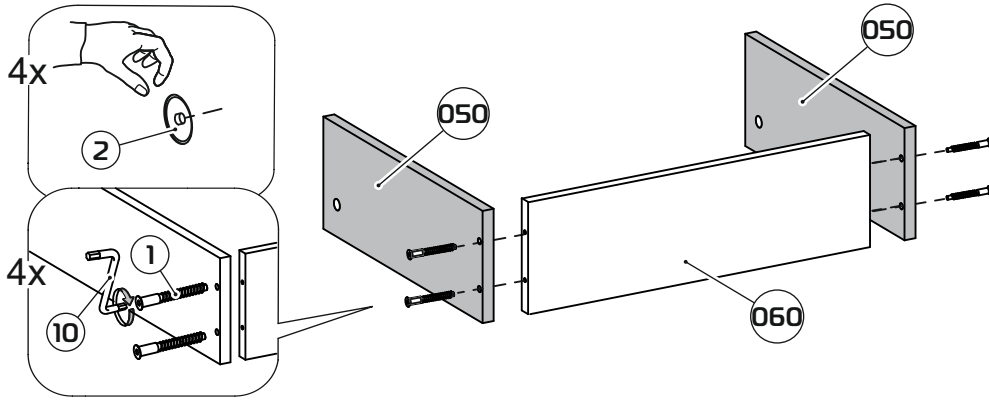
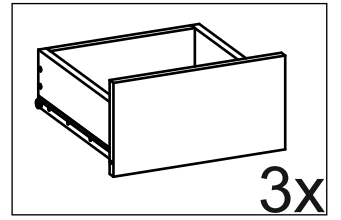
# 5



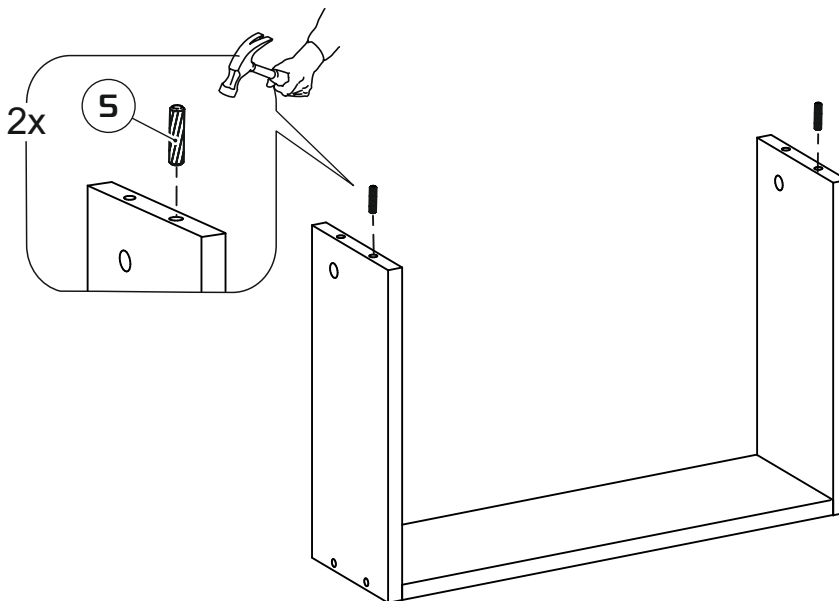
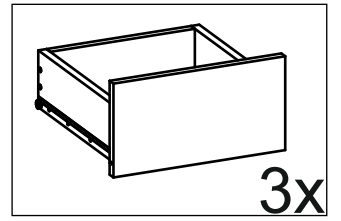
# 6



# 7

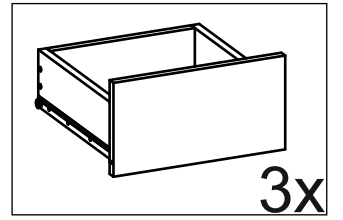
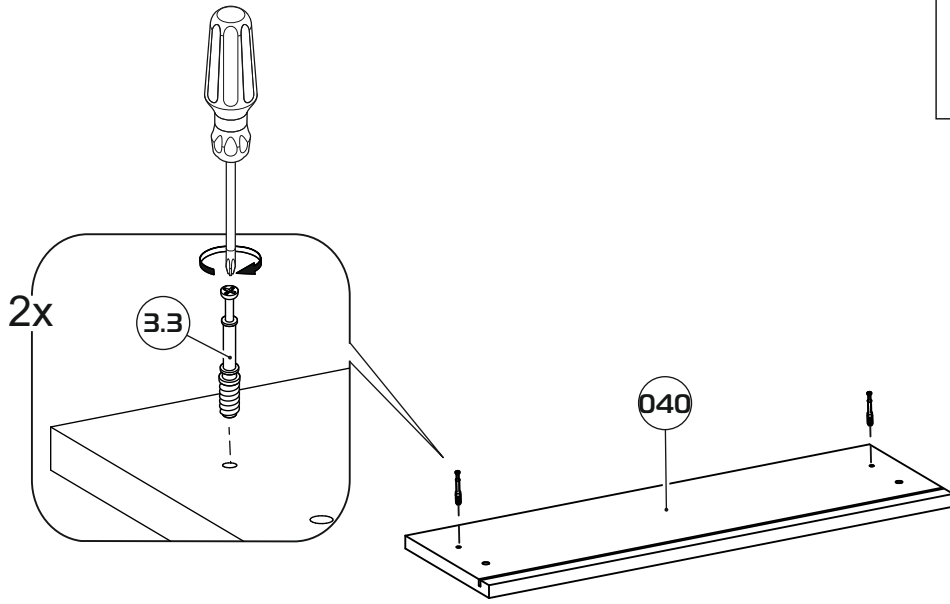


# 8

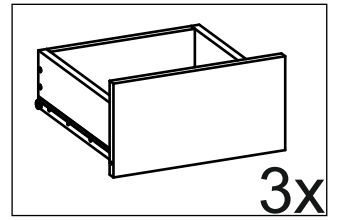
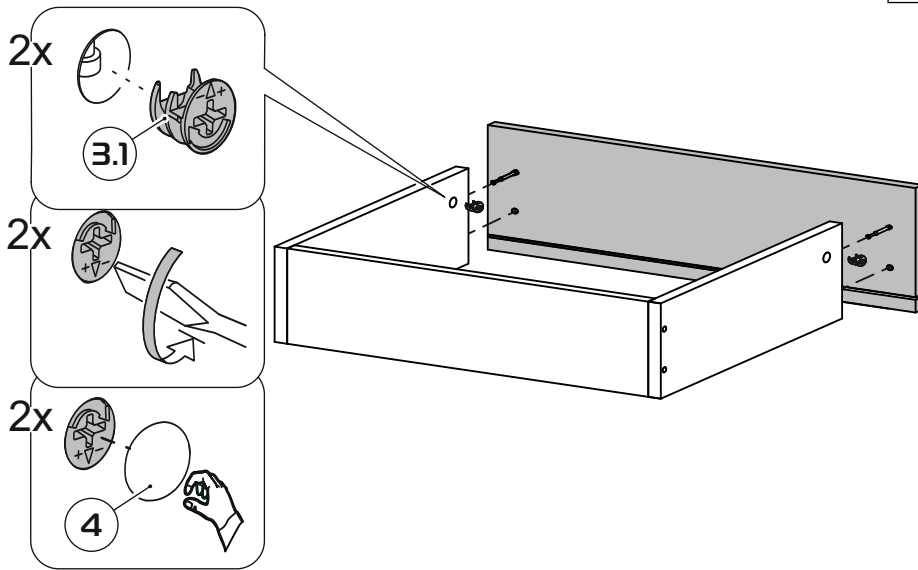




# 9



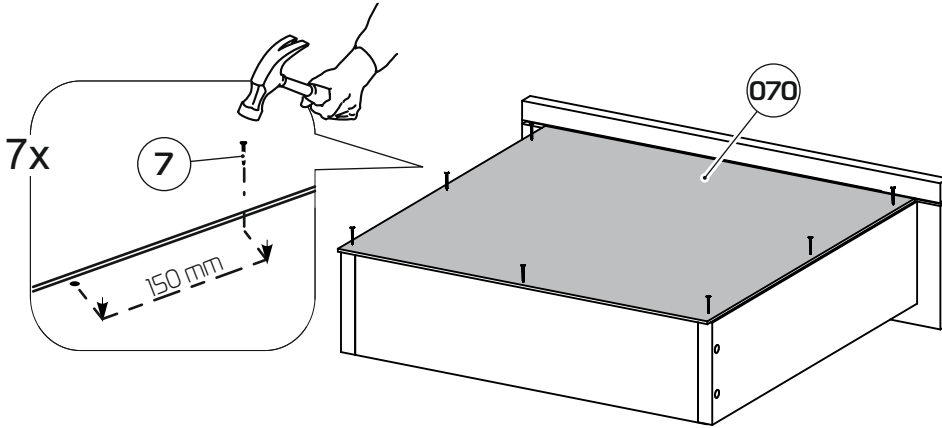
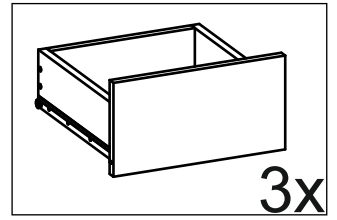
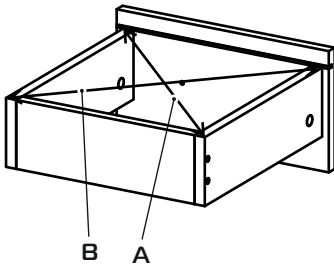
# 10



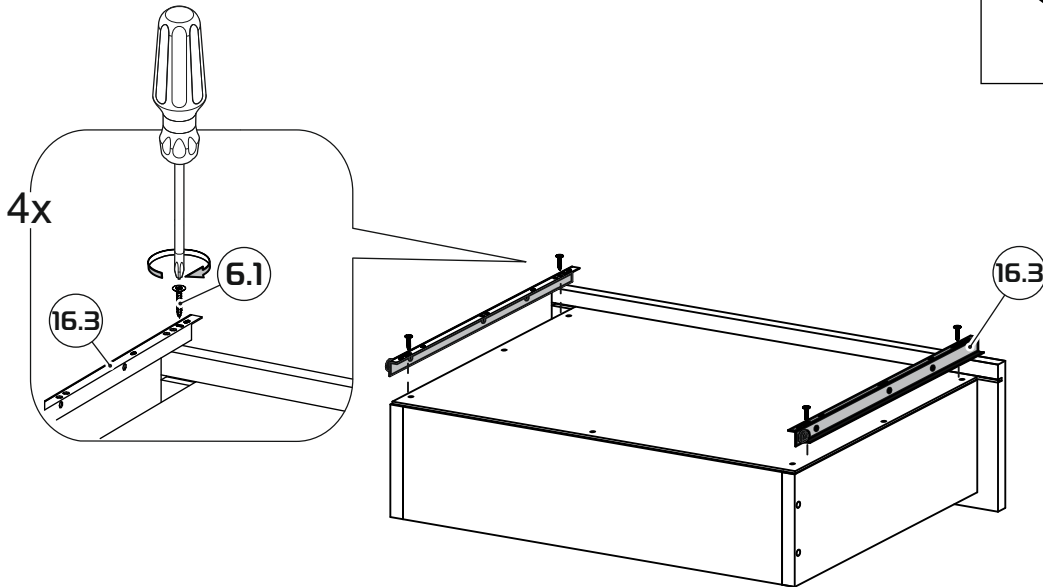
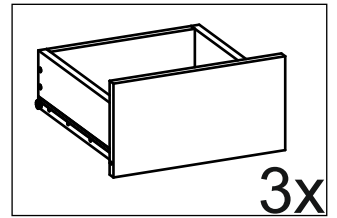
# 11



(A=B)



# 12



13

