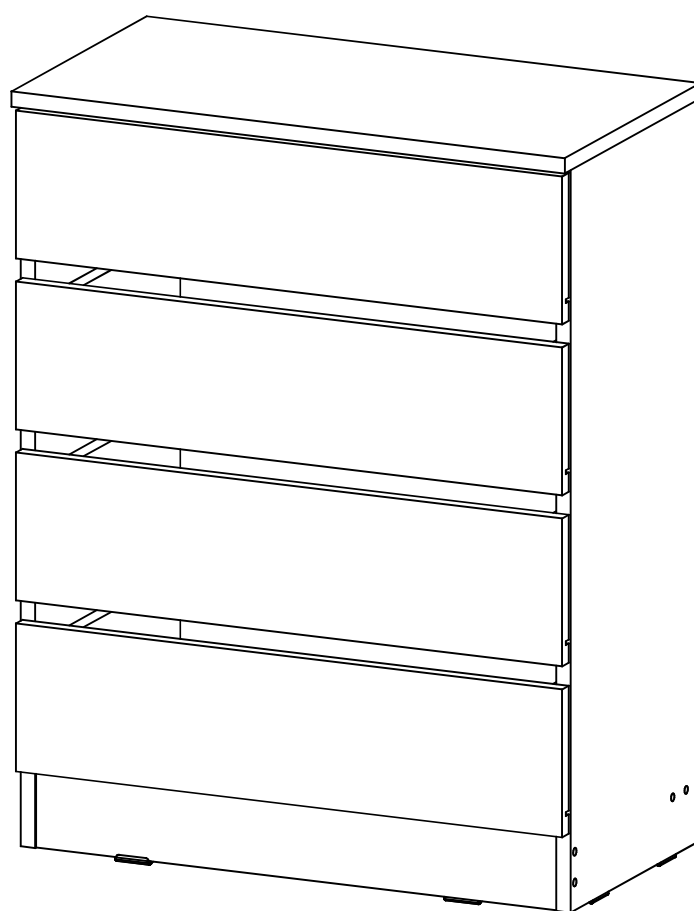
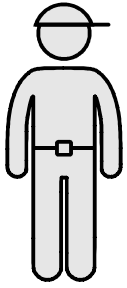


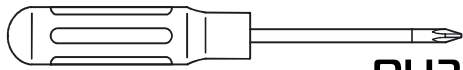
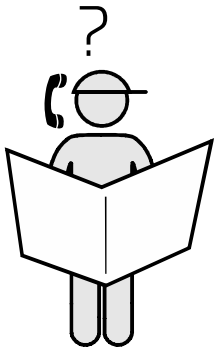
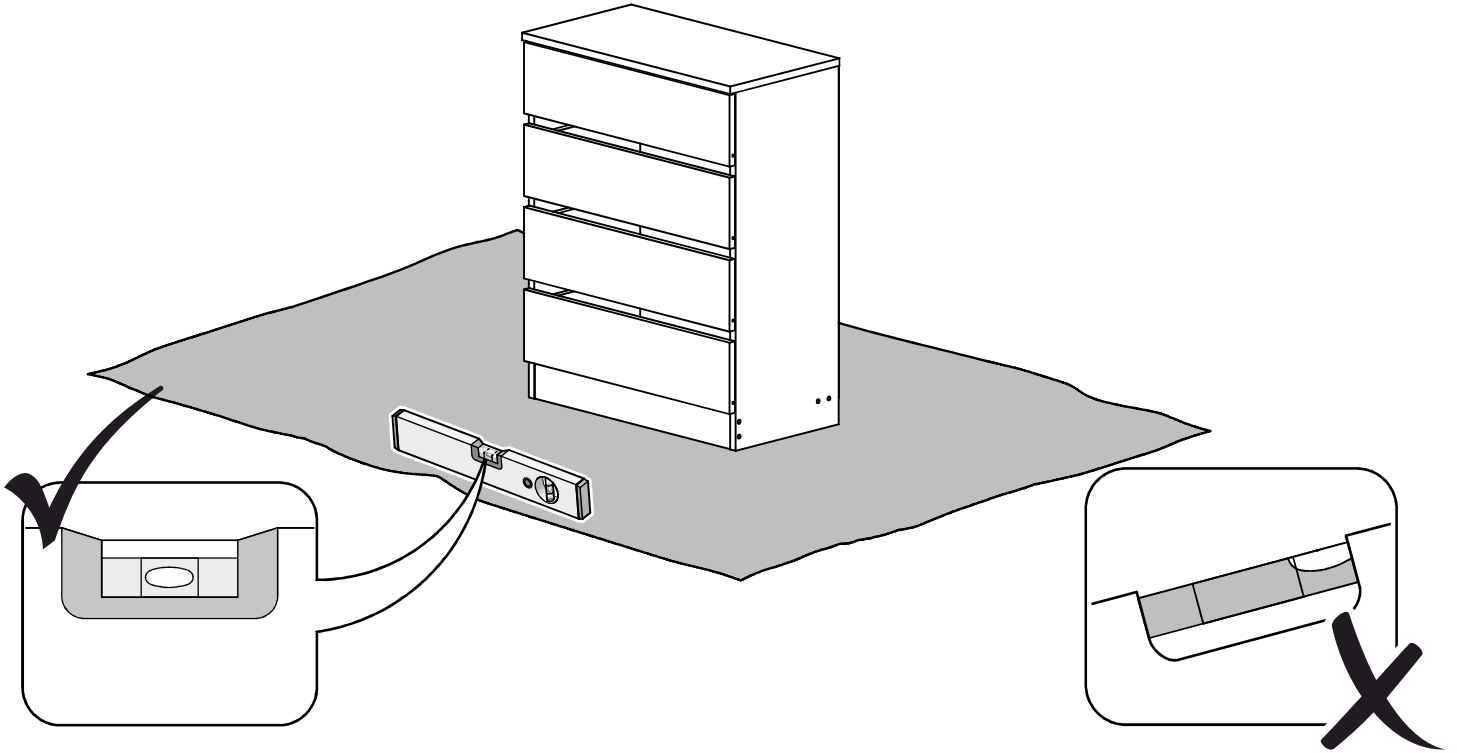
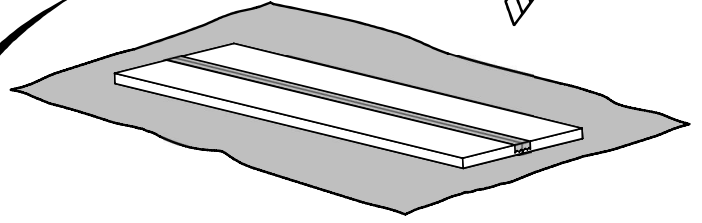
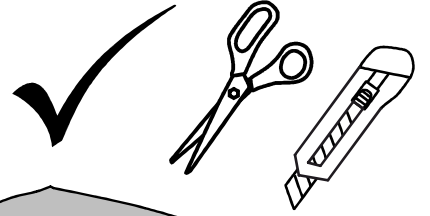
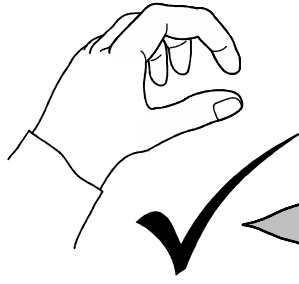
ТРИВЕРО-8

TRIVERO-8

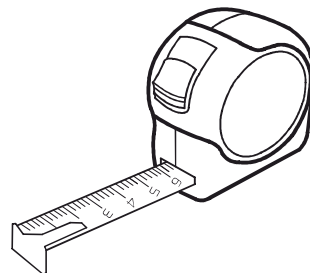
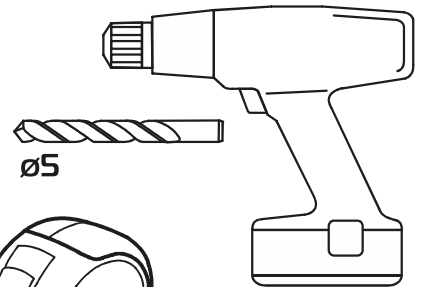
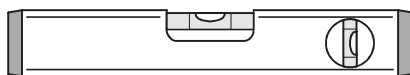
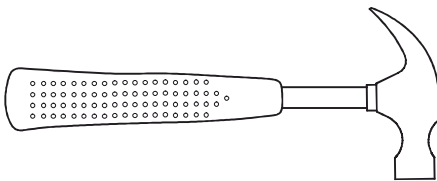


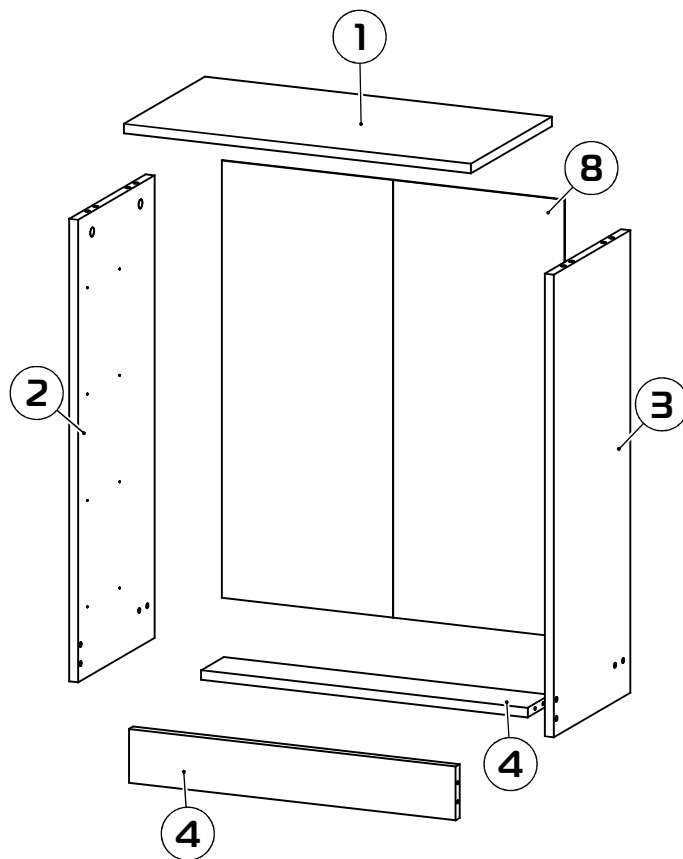
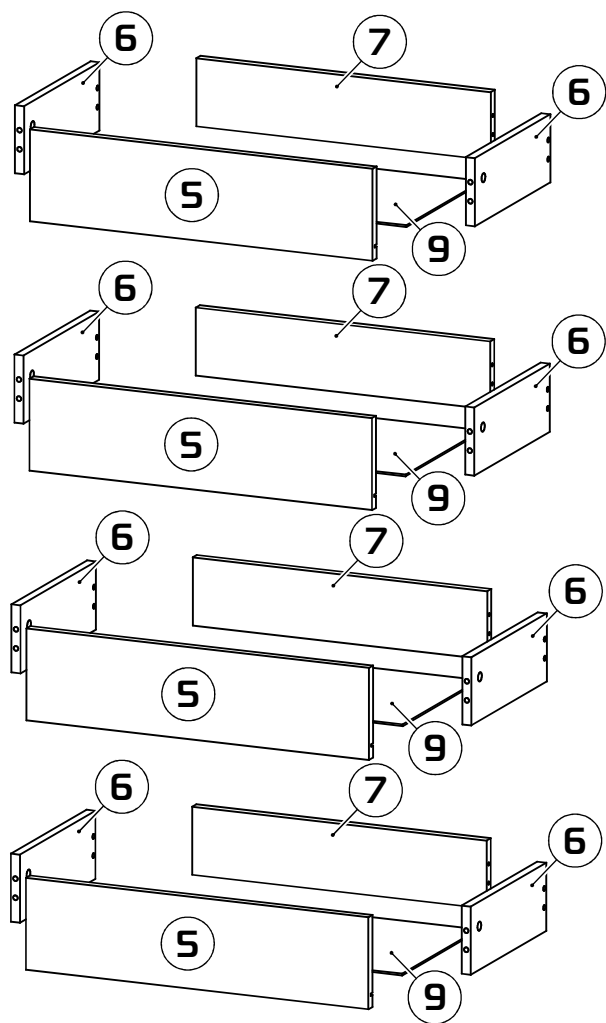


60-75 min



PH2





① 614x322x16 (x1)

⑥ 300x114x16 (x8)

② 774x304x16 (x1)

⑦ 521x114x16 (x4)

③ 774x304x16 (x1)

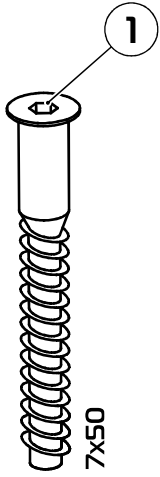
⑧ 732x303/303x3 (x1)

④ 578x90x16 (x2)

⑨ 548x303x3 (x4)

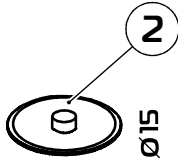
⑤ 606x154x16 (x4)

1:1



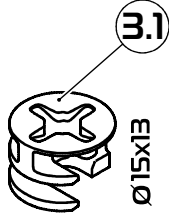
x24

7x50



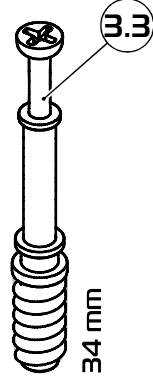
x24

Ø15



x12

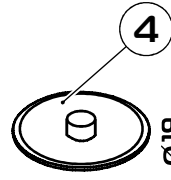
Ø15x13



x12

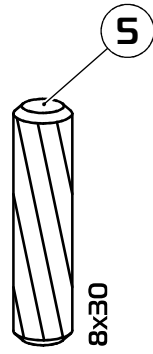
Ø19

34 mm



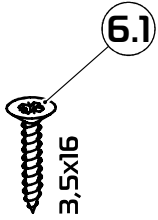
x12

Ø19



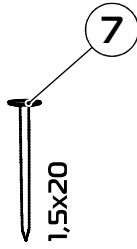
x12

8x30



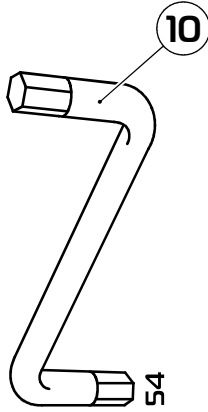
x52

3,5x16



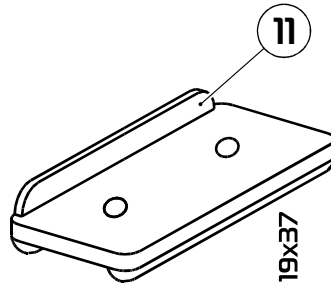
x66

1,5x20



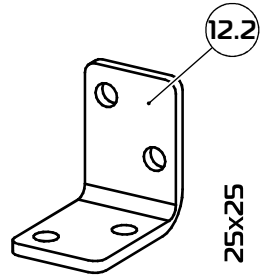
x1

54



x6

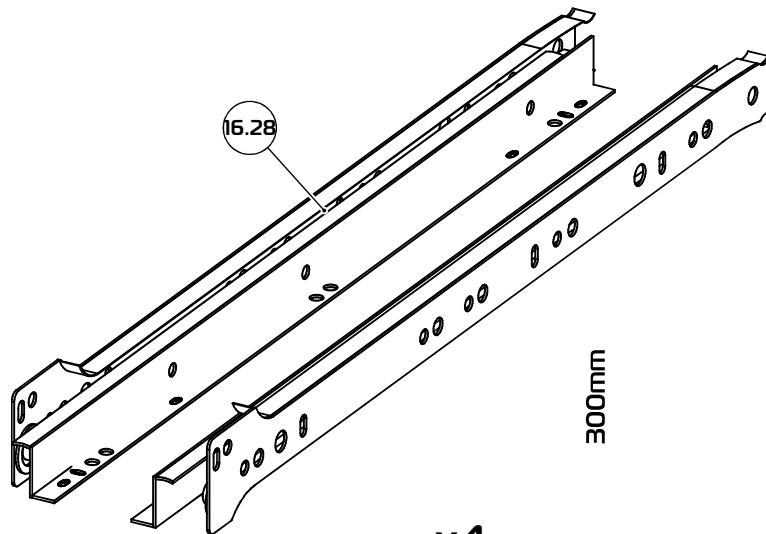
19x37



x1

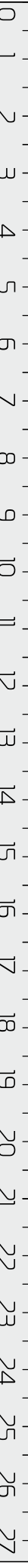
25x25

1:3

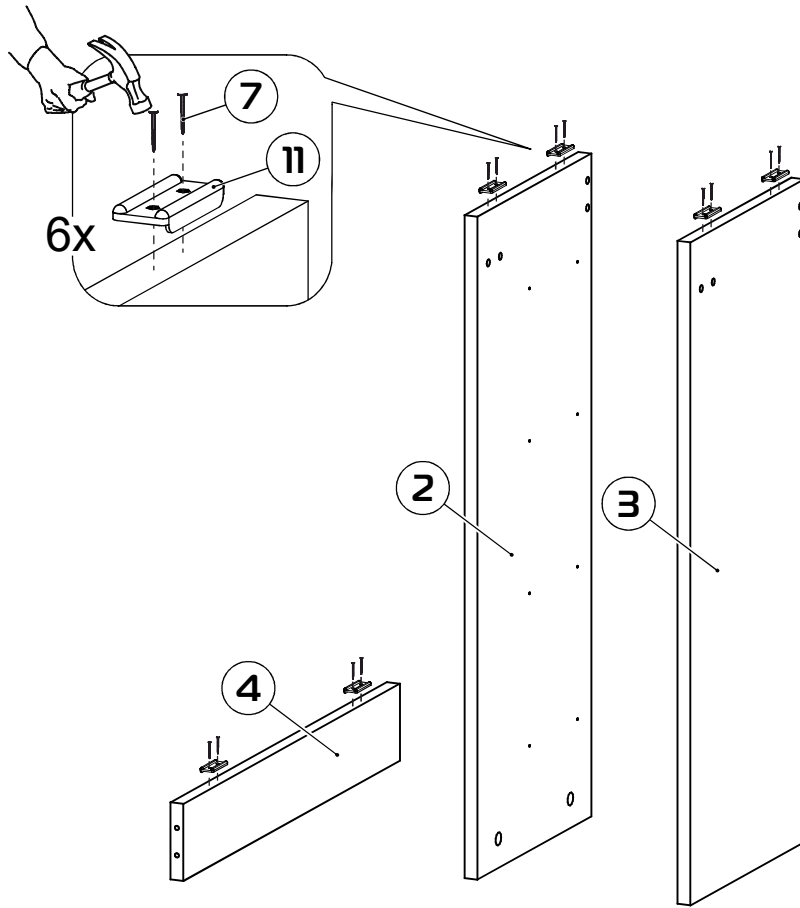


x4

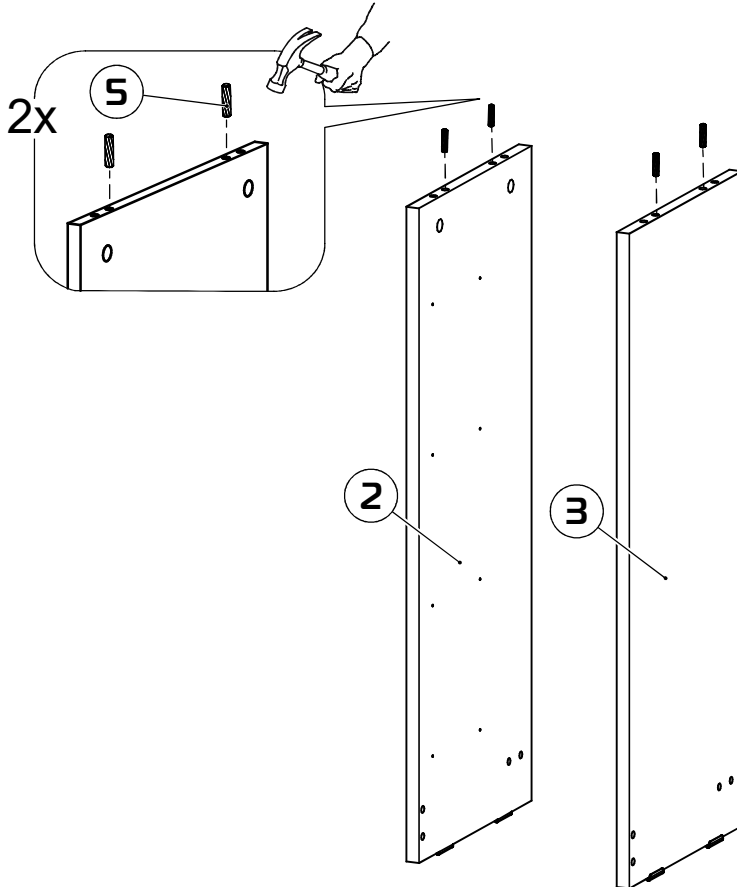
300mm



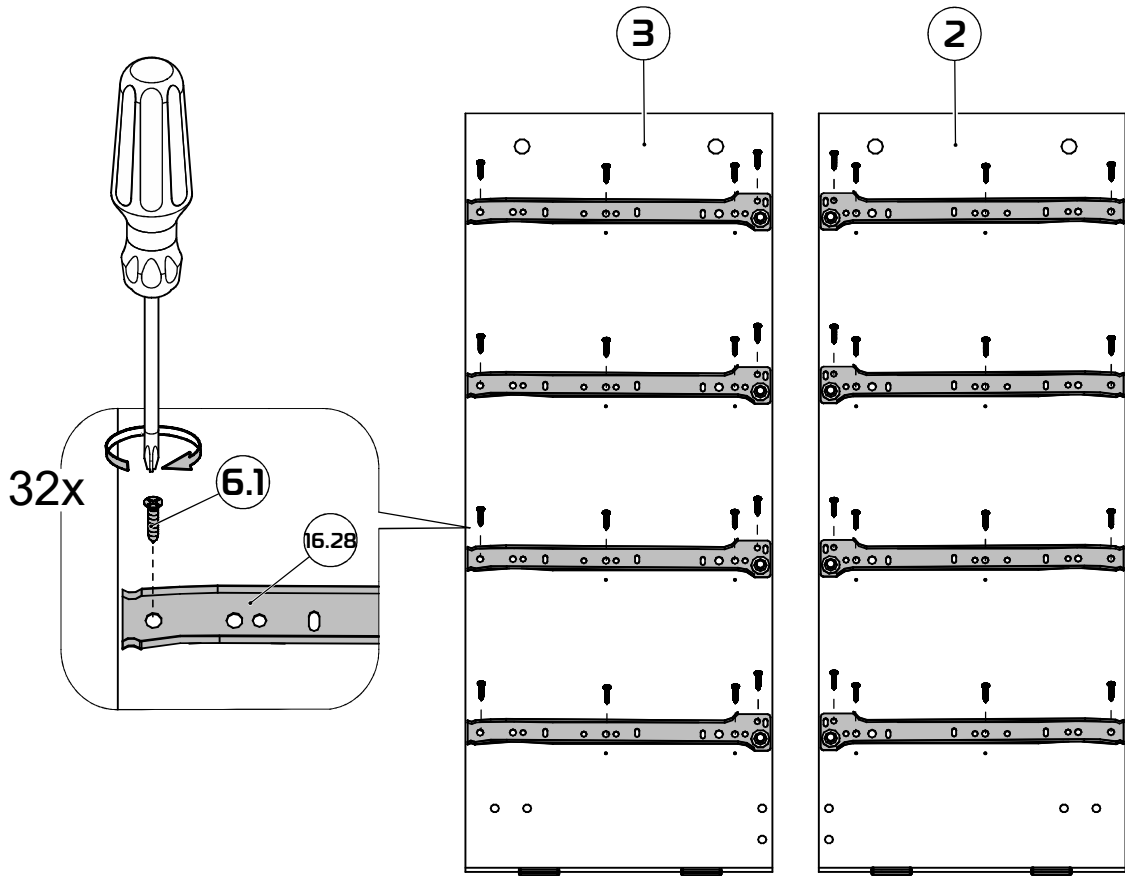
1



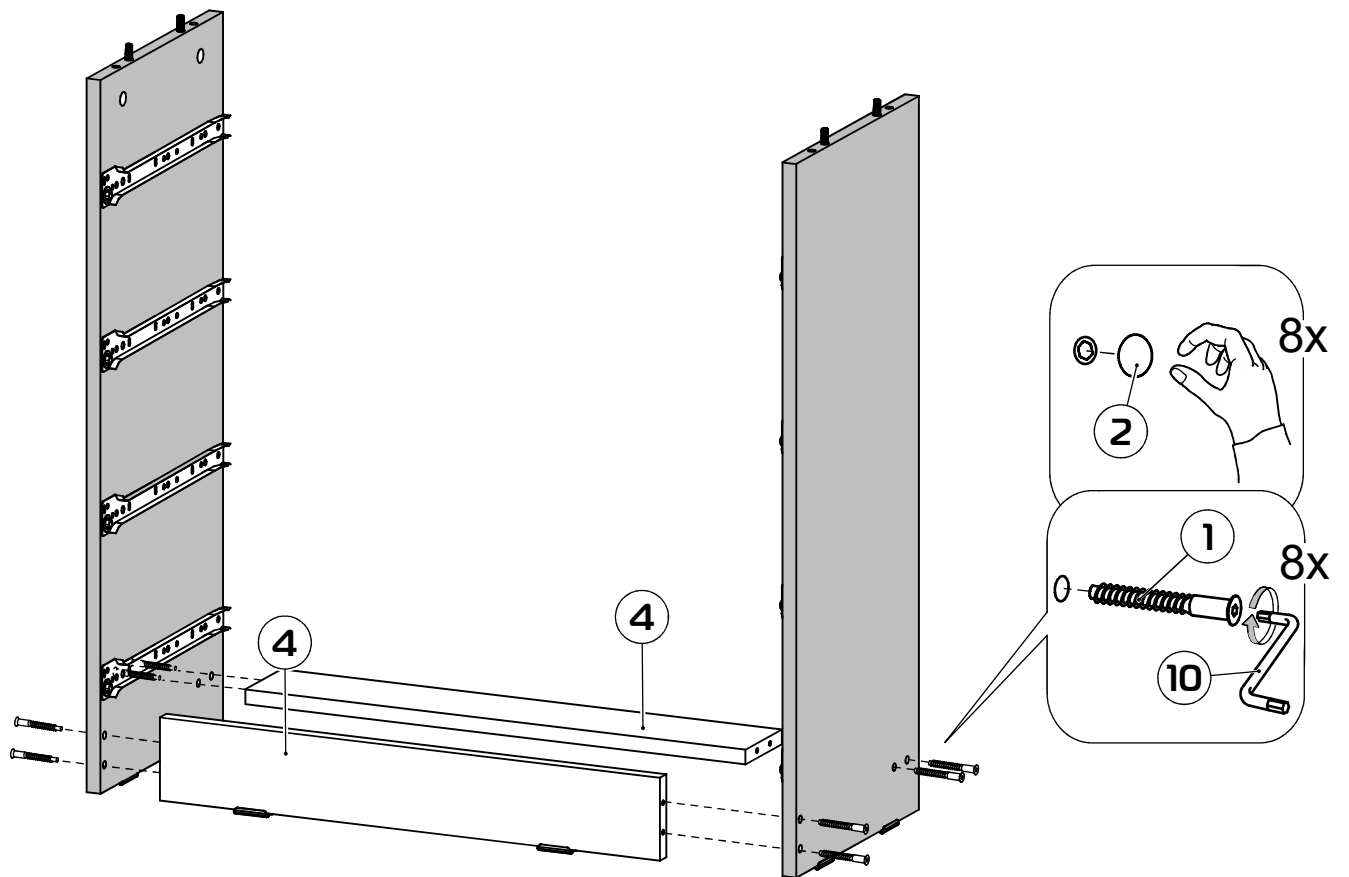
2



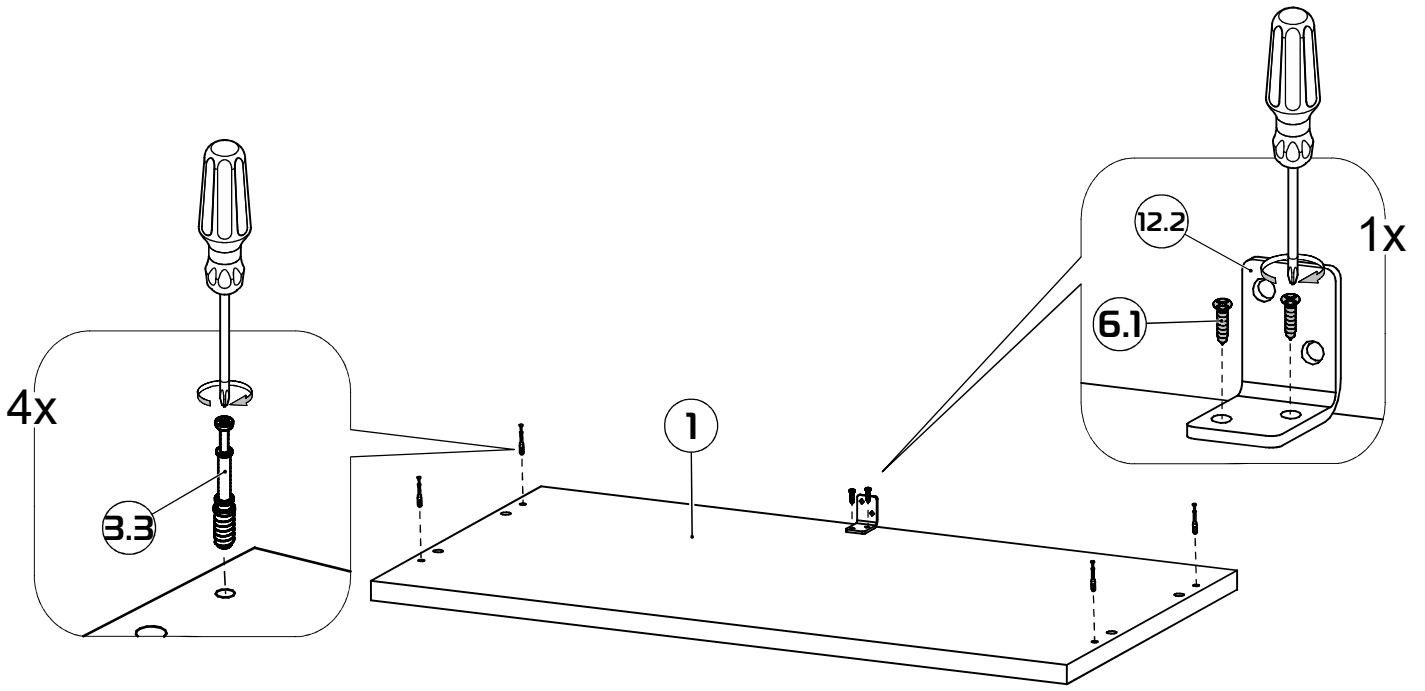
3



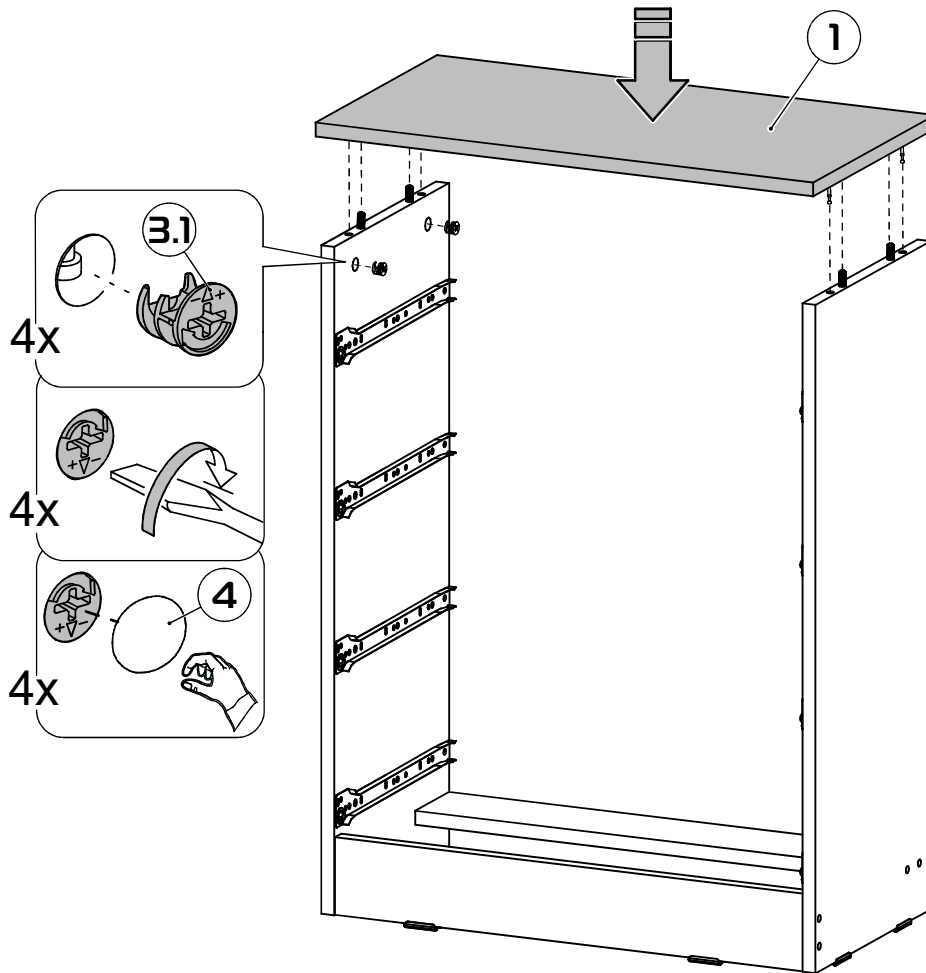
4



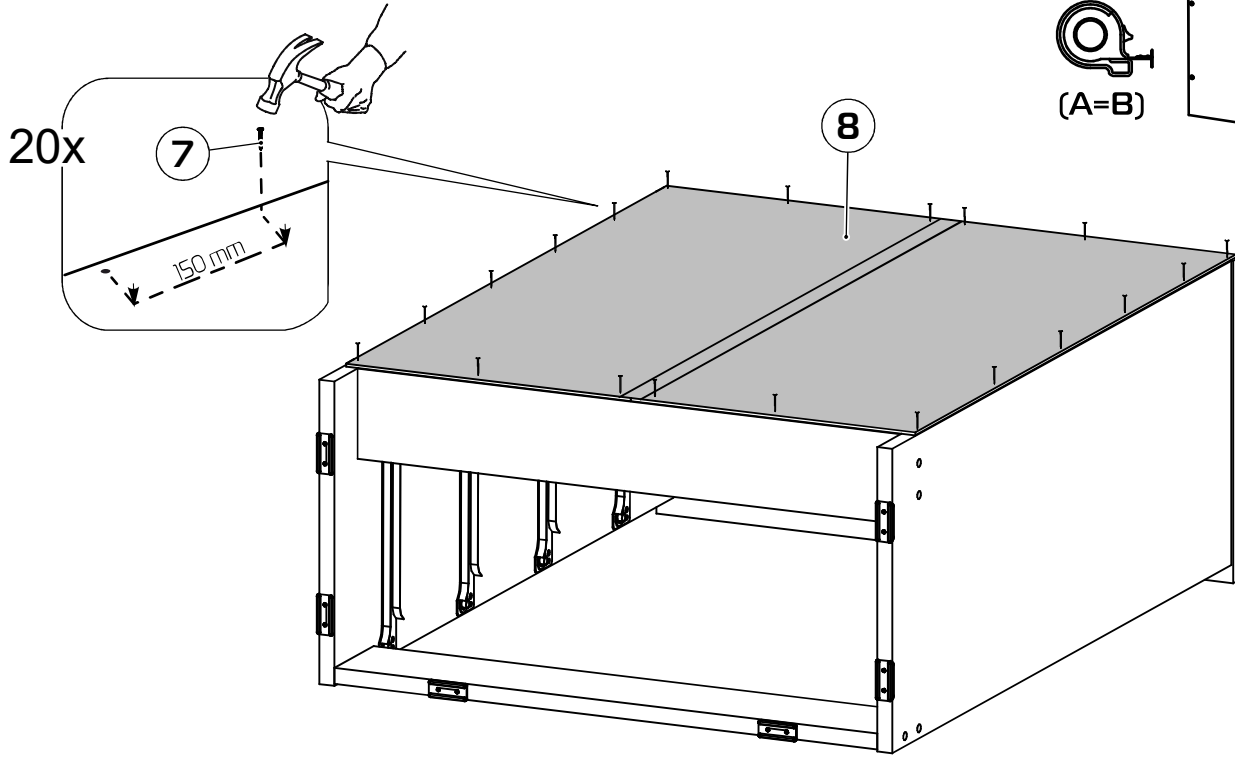
5



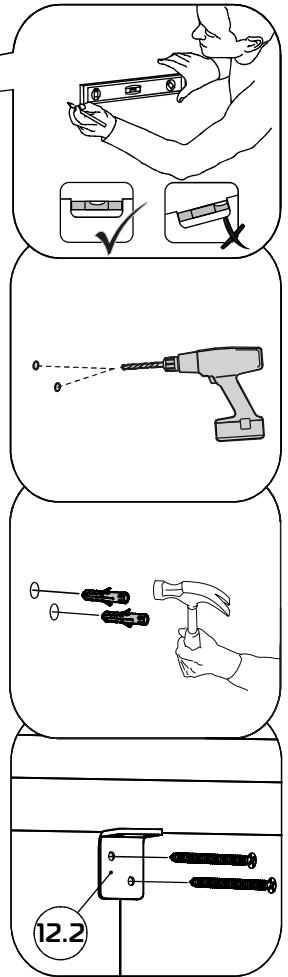
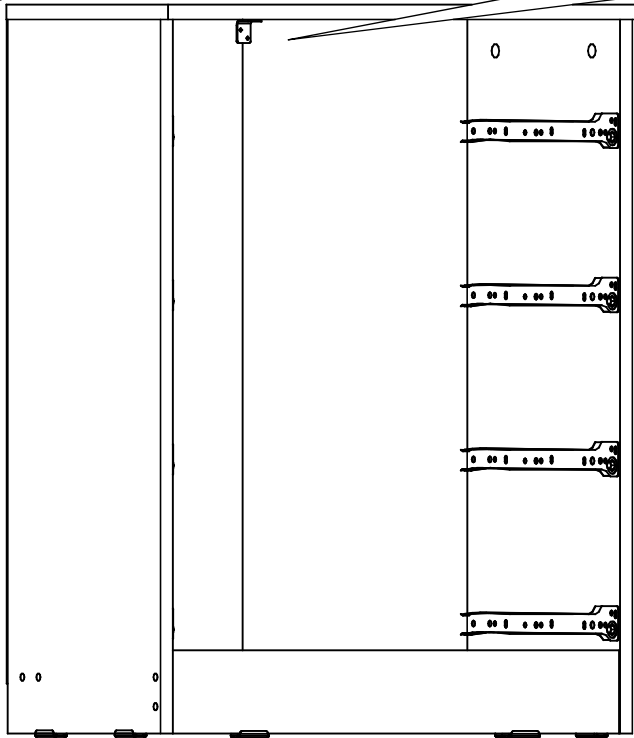
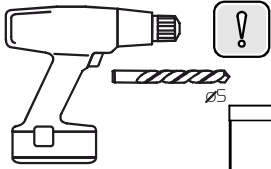
6



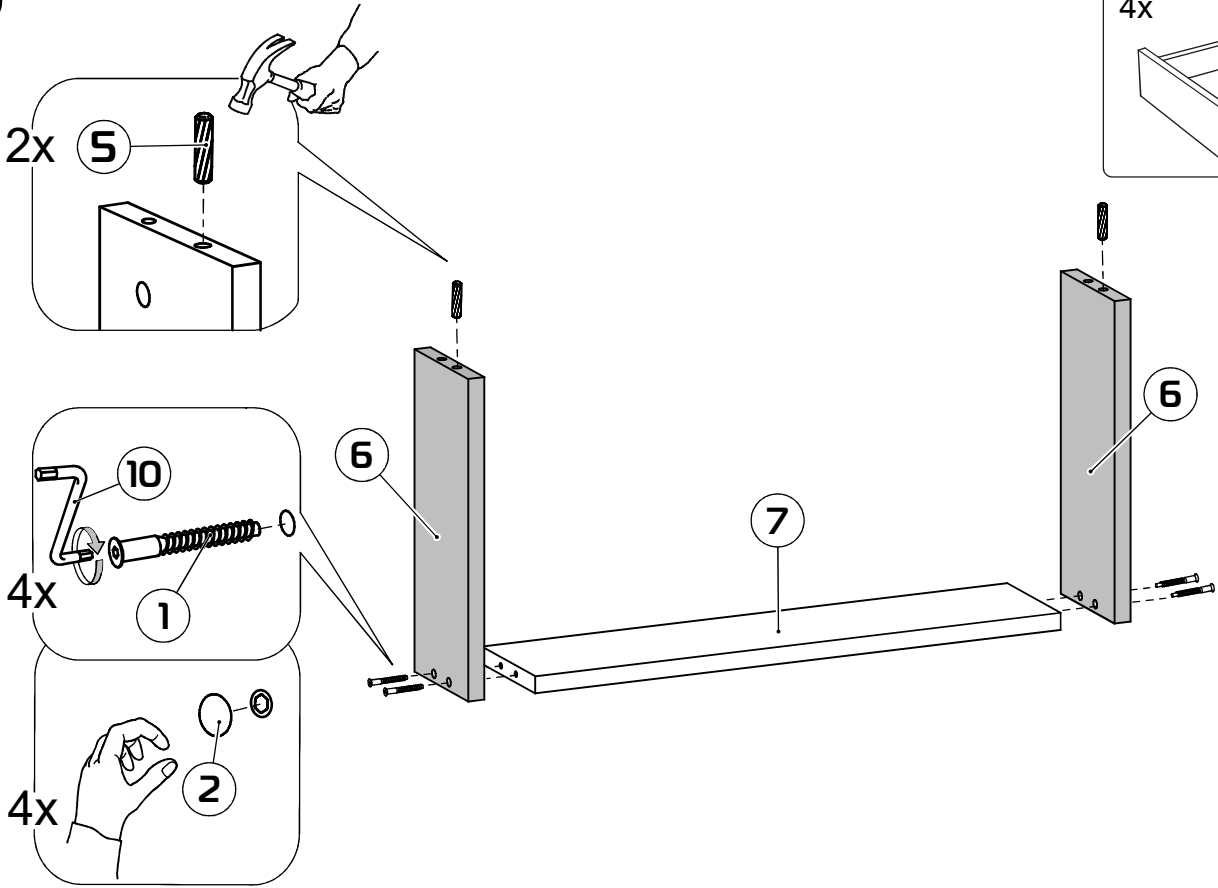
7



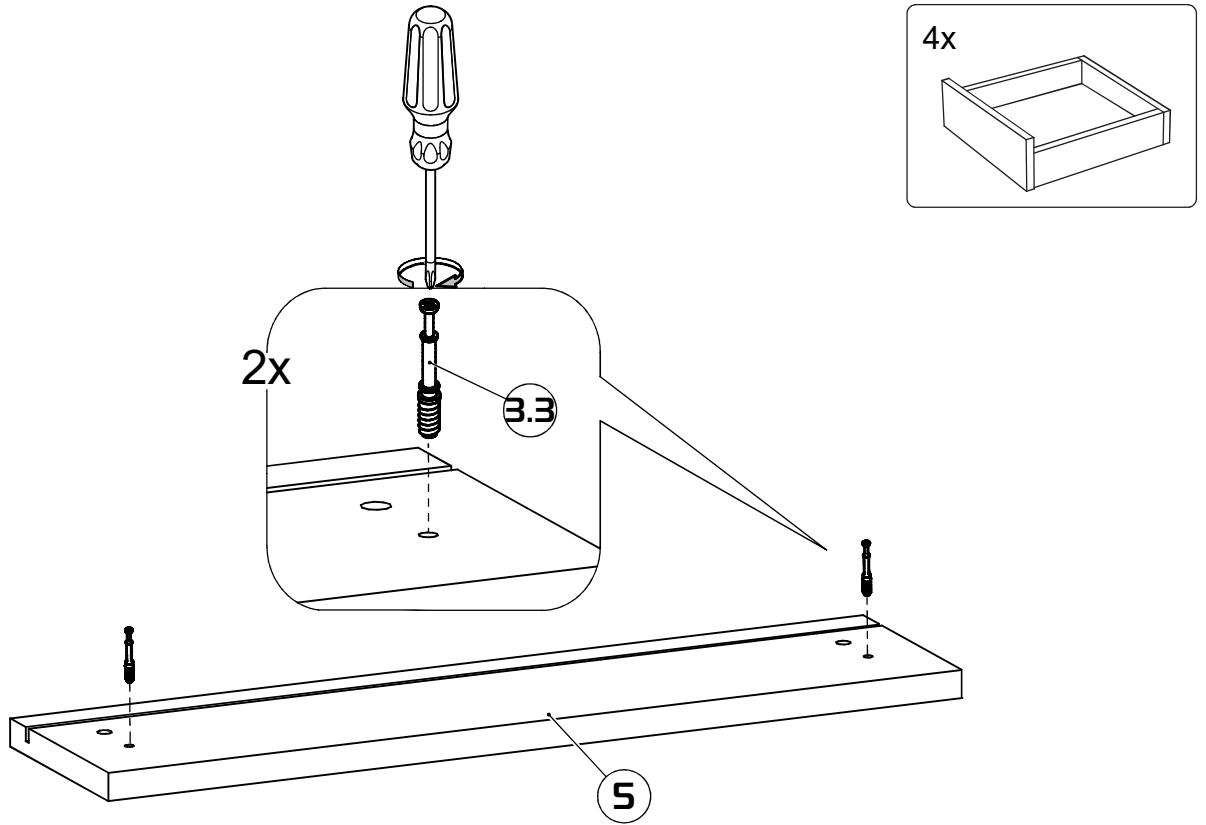
8



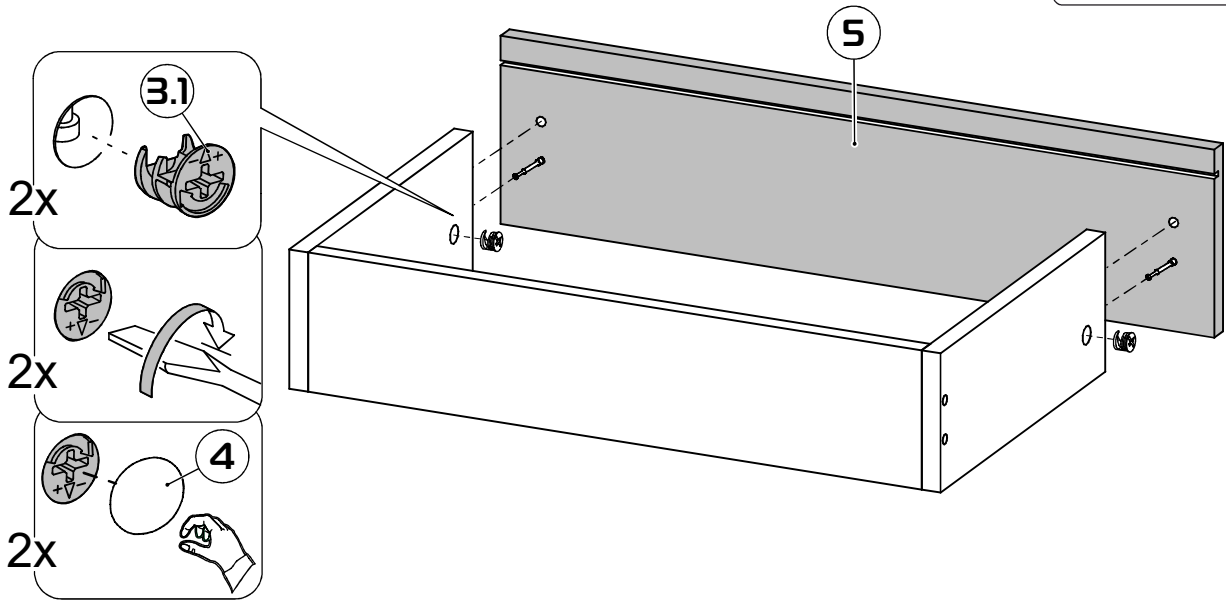
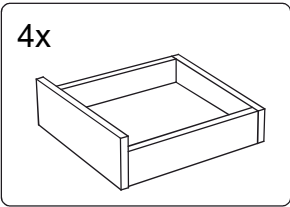
9



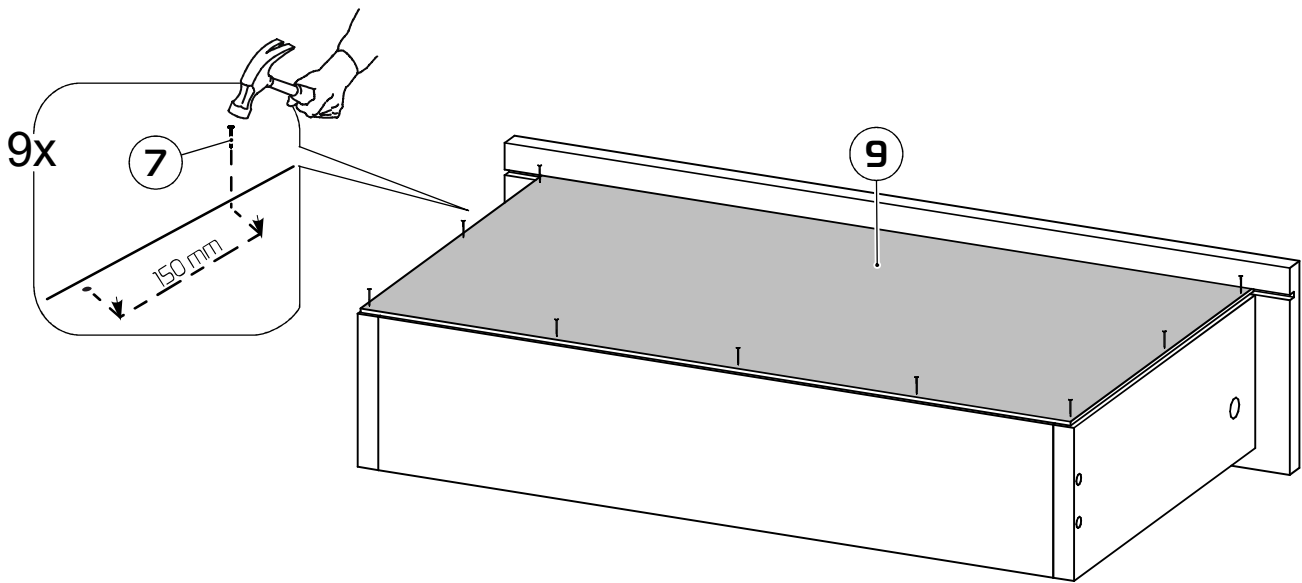
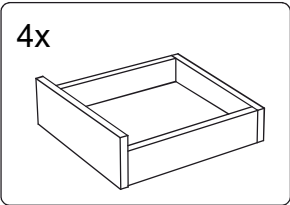
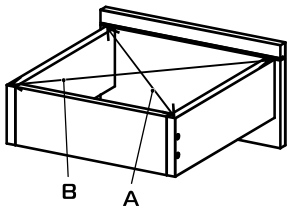
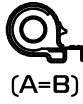
10



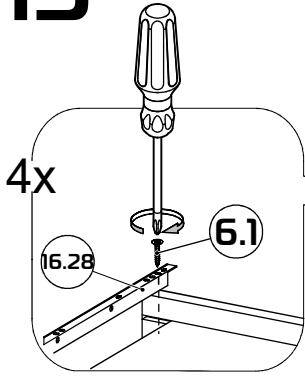
11



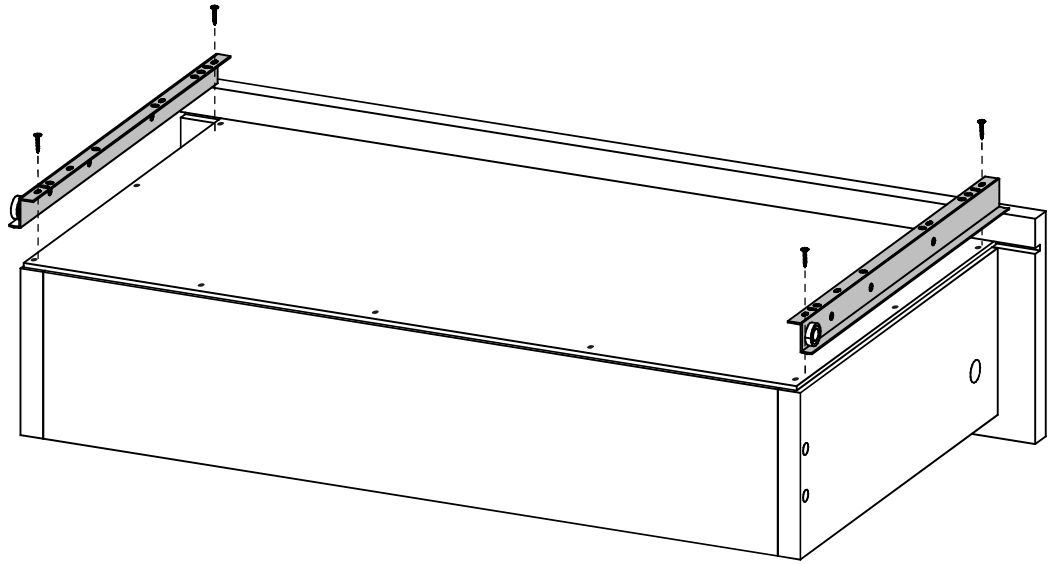
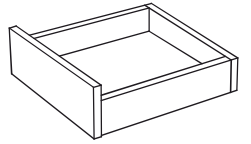
12



13



4x



14

